

Product Brochure For A4225

## 2 Drawer - Industrial Under Bench Tooling Cabinet - HC-2W

815mm Wide x 280mm High  
40kg per Drawer

**On Sale**

Ex GST

~~\$354.00~~  
**\$269.57**

Inc GST

~~\$407.10~~  
**\$310.00**



ORDER CODE:	A4225
MODEL:	HC-2W
Number of Drawers (No.):	2
Drawer Load Capacity (kg):	40
Maximum Total Load Capacity (kg):	~
Includes Backing Panel:	~
Dimensions (W x D x H) (mm):	815 x 580 x 280
Nett Weight (kg):	30



### Description

The HC-2W cabinet is our wide drawer version of our popular 2 drawer unit designed to be mounted under any of our 1200 – 2200mm work benches by using the mounting brackets supplied. The wide drawer is perfect for storing longer tools or equipment & includes adjustable dividers to easily organise the space.

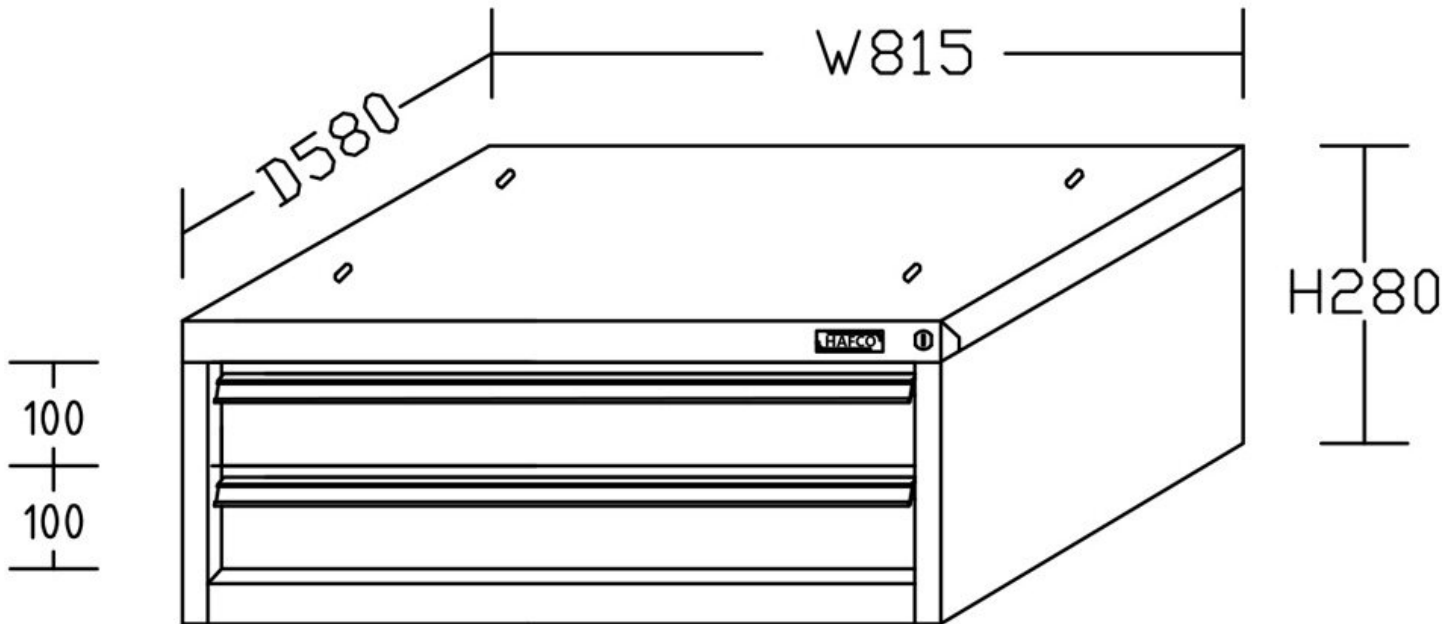
### Features

- Ideal for garages or workshops
- Heavy-duty drawers utilise ball-bearing slides, providing 97% drawer access
- Key lockable drawers with a load capacity of 40kg each

### Includes

- Drawer 1 - 100mm high, load capacity of 40kg and includes steel dividers
- Drawer 2 - 100mm high, load capacity of 40kg and includes steel dividers

Product Brochure For A4225



**Specific Features**



Front View



Drawers Open



Key Lockable



Includes Dividers 8 of Each Size

Product Brochure For A4225

---



Brackets Kit



Brackets Setup Ready Mount to Work Bench



Shown Mounted Under HC 2W Workbench

**Recommended Accessories**

T786  
Steel Divider



T786B  
Slotted Rail



A401  
Mobile Work Bench



A415  
Industrial Work Bench



A420  
Industrial Work Bench



A421  
Industrial Work Bench

