

Product Brochure For C1005

Horizontal Toggle Clamp - KL-225D

250kg Capacity

On Sale

Ex GST
\$22.00
\$18.26

Inc GST
\$25.30
\$21.00



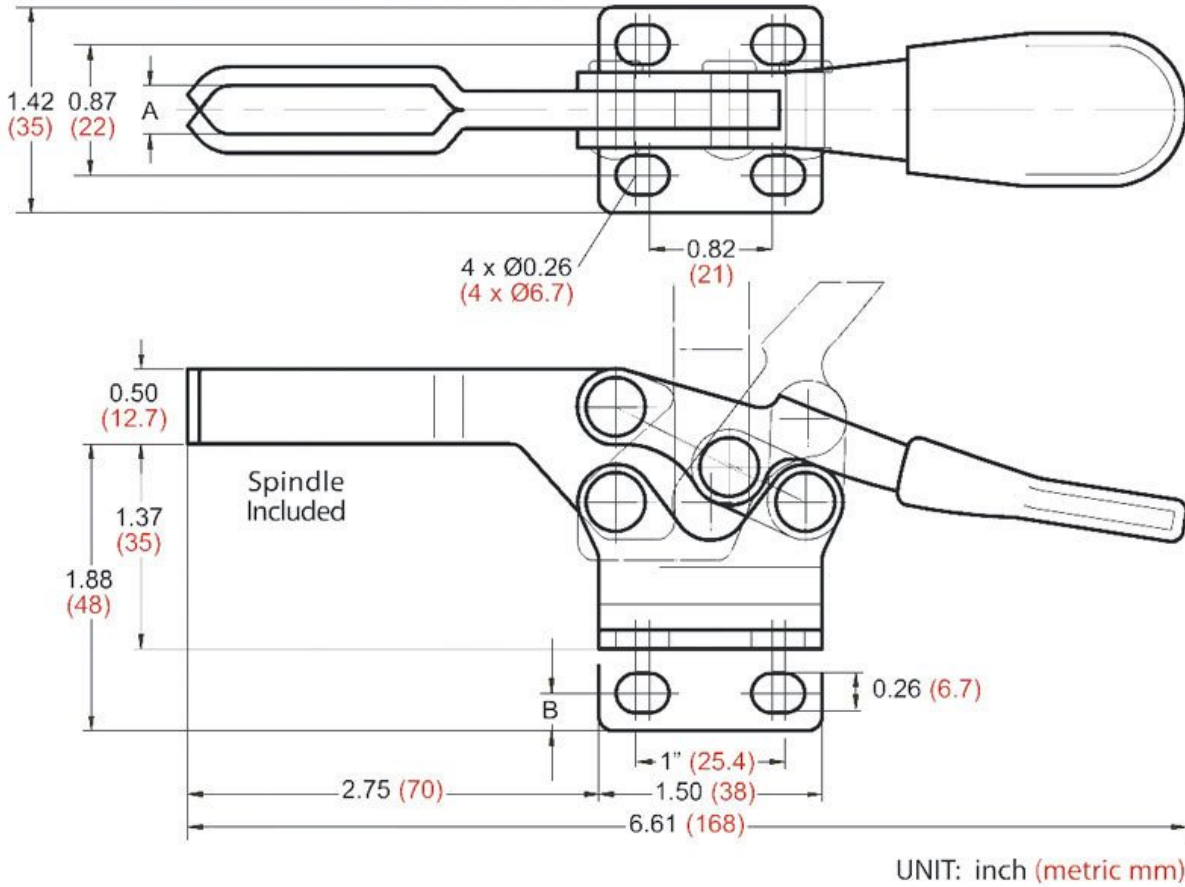
ORDER CODE:	C1005
MODEL:	KL-225D
Type:	Horizontal Toggle Clamp
Clamping Capacity:	
Locking Handle - Pivot Movement:	65°
Clamp Bar - Pivot Movement:	90°
Plunger Travel (mm):	~
Throat Depth (mm):	~
Opening (mm):	~
Size:	~
Quantity Per Pack (No.):	1
Clamping Force (kg):	250kg
Over all Length (mm):	~
Nett Weight (kg):	0.36



Features

- KL-225D - Horizontal Toggle Clamp
- Holding capacity: 250kg
- Handle moves: 65°
- Bar moves: 90°
- Weight: 360g

Product Brochure For C1005



Specific Features



Open Position

Product Brochure For C1005

Recommended Accessories

C1001
Vertical Toggle Clamp



C100
Vertical Toggle Clamp



C0999
Vertical Toggle Clamp



C0998
Vertical Toggle Clamp



C1003
Horizontal Toggle Clamp



C1006
Horizontal Toggle Clamp



C1008
Straight Line Toggle Clamp



C1011
Straight Line with Threaded Collar Toggle Clamp



Product Brochure For C1005

C1009

Straight Line Toggle Clamp

C1010

Straight Line Toggle Clamp

