

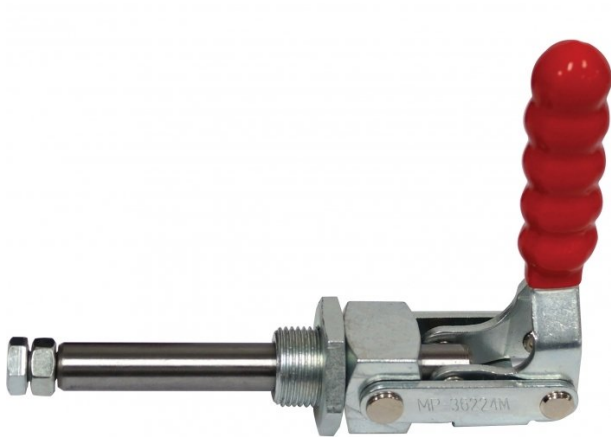
Product Brochure For C1011

Straight Line with Threaded Collar Toggle Clamp - MP-36224M

690kg Capacity

On Sale

Ex GST	Inc GST
\$40.00	\$46.00
\$30.43	\$35.00



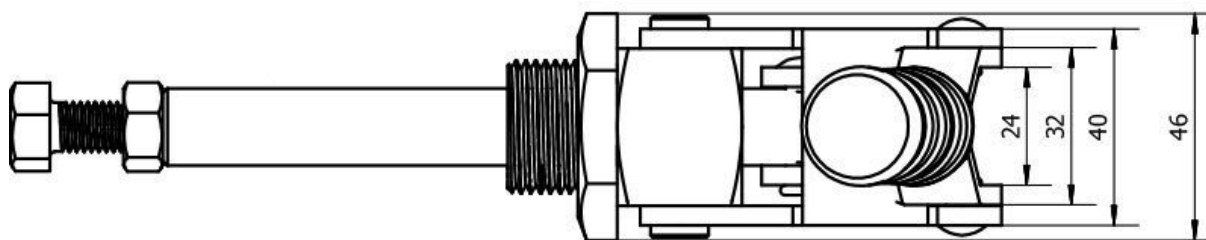
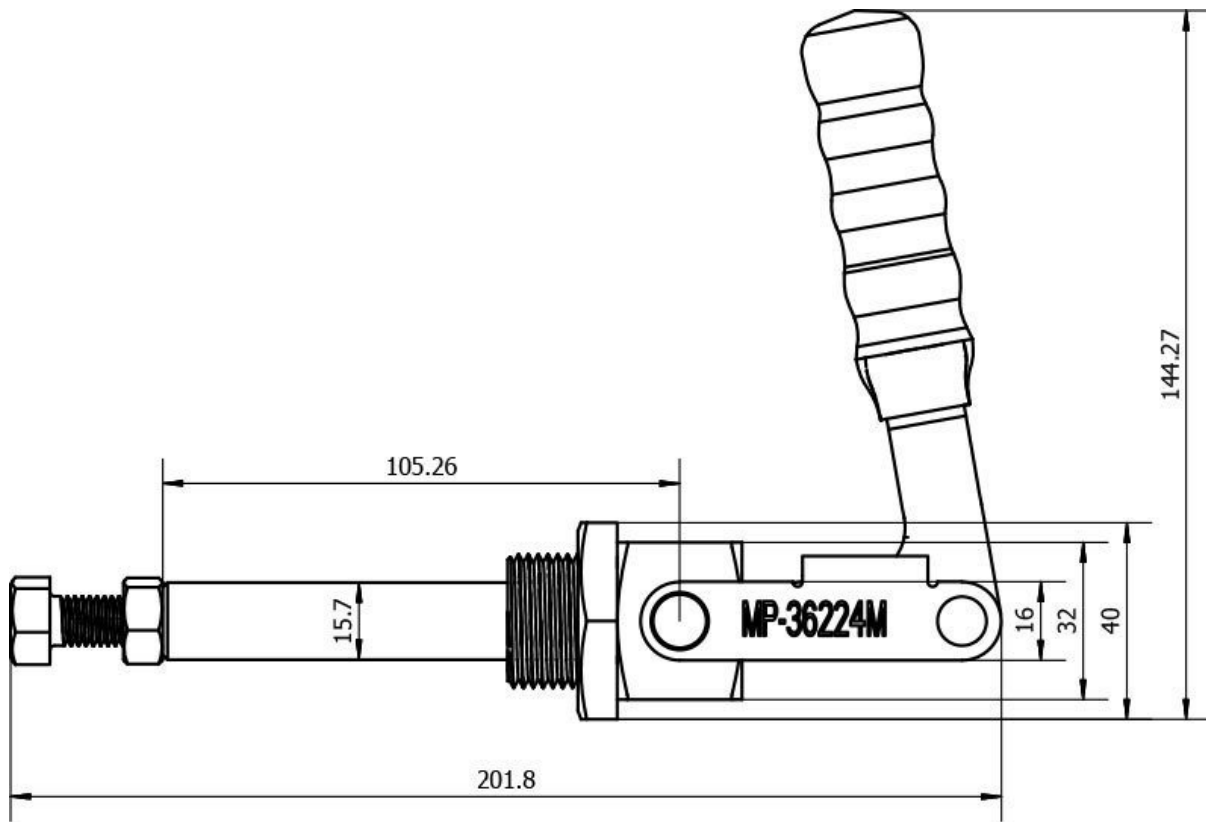
ORDER CODE:	C1011
MODEL:	MP-36224M
Type:	Straight Line Toggle Clamp
Clamping Capacity:	
Locking Handle - Pivot Movement:	180°
Clamp Bar - Pivot Movement:	~
Plunger Travel (mm):	67
Throat Depth (mm):	~
Opening (mm):	~
Size:	~
Quantity Per Pack (No.):	1
Clamping Force (kg):	690kg
Over all Length (mm):	~
Nett Weight (kg):	0.7



Features

- MP-36224M - Straight Line with Threaded Collar Toggle Clamp
- Holding capacity: 690kg
- Handle moves: 180°
- Plunger travel: 67mm
- Weight: 700g

Product Brochure For C1011



Product Brochure For C1011

Specific Features



Open

Recommended Accessories

C1001
Vertical Toggle Clamp

C100
Vertical Toggle Clamp

C0999
Vertical Toggle Clamp

C0998
Vertical Toggle Clamp



C1003
Horizontal Toggle Clamp

C1005
Horizontal Toggle Clamp

C1006
Horizontal Toggle Clamp

C1008
Straight Line Toggle Clamp



Product Brochure For C1011

C1009

Straight Line Toggle Clamp

C1010

Straight Line Toggle Clamp

