

Product Brochure For C722

## 4 Jaw Self Centring Lathe Chuck - K12-125

Ø125mm

**On Sale**

Ex GST

Inc GST

~~\$232.00~~

~~\$266.80~~

**\$186.09**

**\$214.00**



ORDER CODE:	C722
Size (mm):	Ø125
Outside Jaw (mm):	2.5 - 40
Inside Jaw (mm):	38 - 110
Speed (rpm):	3000
D1 (mm):	95
D2 (mm):	108
D3 (bore) (mm):	30
H (mm):	84
H1 (mm):	58
h (mm):	4
z-d (mm):	3-M8
Nett Weight (kg):	5.1

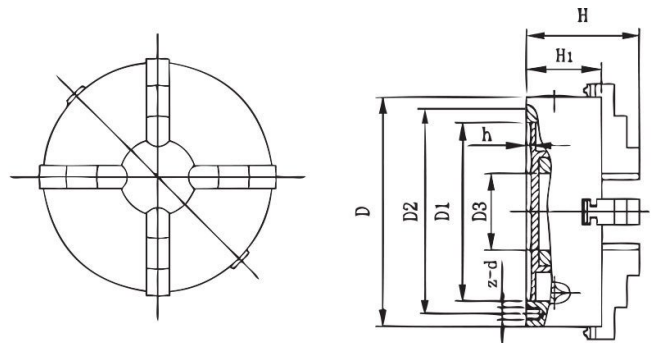


### Description

125mm 4-JAW SELF-CENTRING LATHE CHUCK  
Manufactured cast iron.  
Available only in back mount.

### Includes

- 1 x set of outside hard jaws
- 1 x set of inside hard jaws
- 1 x key
- 1 x set of mounting screws



Product Brochure For C722

---

**Specific Features**



Back Plate Mount



Included Accessories



Front View

**Recommended Accessories**

L287

D1-4 Camlock Back Plate

L2875

D1-5 Camlock Back Plate

C2862

Chuck Key

