

Product Brochure For C7985

CNC Lathe - Tee Nuts Sets Type B

Suit Size 8

On Sale

Ex GST

Inc GST

\$172.00

\$197.80

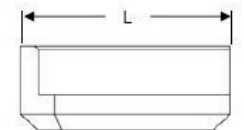
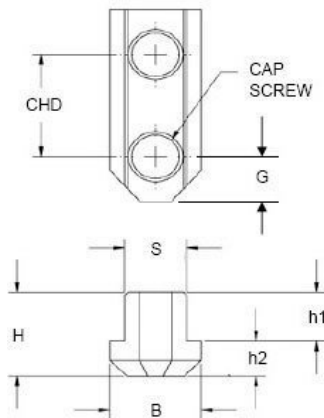
\$136.52

\$157.00



ORDER CODE:	C7985
Type:	Type B
Suit Size (mm):	8
H (mm):	25.5
h1 (mm):	16
h2 (mm):	9.5
B (mm):	20.5
L (mm):	48
G (mm):	11
CHD (mm):	25
S (mm):	14
Cap Screw (mm):	M12

**CHUCK JAWS T-NUTS
HARDENED AND GROUND**



Description

Suits Kitagawa Chucks