

Product Brochure For C8564

ER25 Collet

Ø15-Ø14mm
"Made in Taiwan"

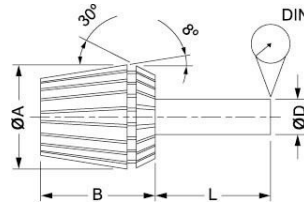


On Sale

Ex GST
~~\$26.00~~
\$20.00

Inc GST
~~\$29.90~~
\$23.00

| | |
|-----------------------|---------|
| ORDER CODE: | C8564 |
| Type: | ER25 |
| Metric Size (mm): | 15 - 14 |
| Imperial Size (inch): | ~ |



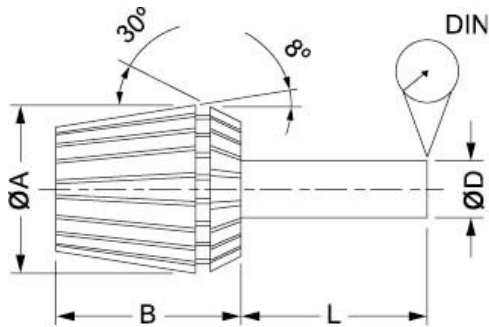
| Collet | A | B | L | DIN | RANGE (D) |
|--------|------|----|----|------|-----------|
| ER11 | 11.5 | 18 | 6 | 0.02 | 0.5-7.0 |
| ER16 | 17 | 27 | 10 | 0.02 | 0.5-10.0 |
| ER20 | 21 | 31 | 16 | 0.02 | 1.0-13.0 |
| ER25 | 26 | 35 | 25 | 0.02 | 1.0-16.0 |
| ER32 | 33 | 40 | 40 | 0.02 | 2.0-20.0 |
| ER40 | 41 | 46 | 50 | 0.03 | 3.0-26.0 |



Features

- Manufactured to DIN standard
- Collet size covers a range from expanded to compressed
- Collets from 2mm have 1mm of movement
- Collets are listed by their expanded size
- Eg. When ordering an ER32-3 the range is from 3mm expanded to 2mm compressed

Product Brochure For C8564



| Collet | A | B | L | DIN | RANGE (D) |
|--------|------|----|----|------|-----------|
| ER11 | 11.5 | 18 | 6 | 0.02 | 0.5-7.0 |
| ER16 | 17 | 27 | 10 | 0.02 | 0.5-10.0 |
| ER20 | 21 | 31 | 16 | 0.02 | 1.0-13.0 |
| ER25 | 26 | 35 | 25 | 0.02 | 1.0-16.0 |
| ER32 | 33 | 40 | 40 | 0.02 | 2.0-20.0 |
| ER40 | 41 | 46 | 50 | 0.03 | 3.0-26.0 |

Installation Guide - Please see downloads for full details



Recommended Accessories

C864
25 x 150 x ER25 Collet Chuck - Straight

C861
ER25 Collet Chuck Wrench

T214
BT40 x ER25-70 Collet Chuck

T215
BT40 x ER25-100 Collet Chuck

