

Product Brochure For C952

## ER40 Collet

Ø22-Ø21mm

"Made in Taiwan"



**On Sale**

**Ex GST**

~~\$32.00~~

**\$24.35**

**Inc GST**

~~\$36.80~~

**\$28.00**

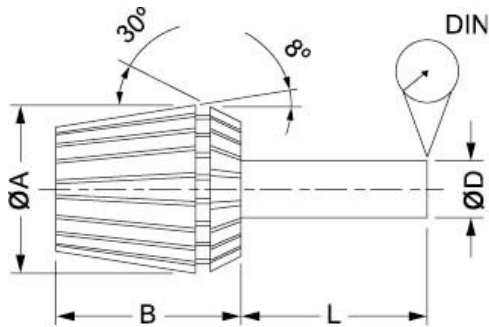
ORDER CODE:	C952
Type:	ER40
Metric Size (mm):	22 - 21
Imperial Size (inch):	~



### Features

- Manufactured to DIN standard
- Collet size covers a range from expanded to compressed
- Collets from 2mm have 1mm of movement
- Collets are listed by their expanded size
- Eg. When ordering an ER32-3 the range is from 3mm expanded to 2mm compressed

Product Brochure For C952



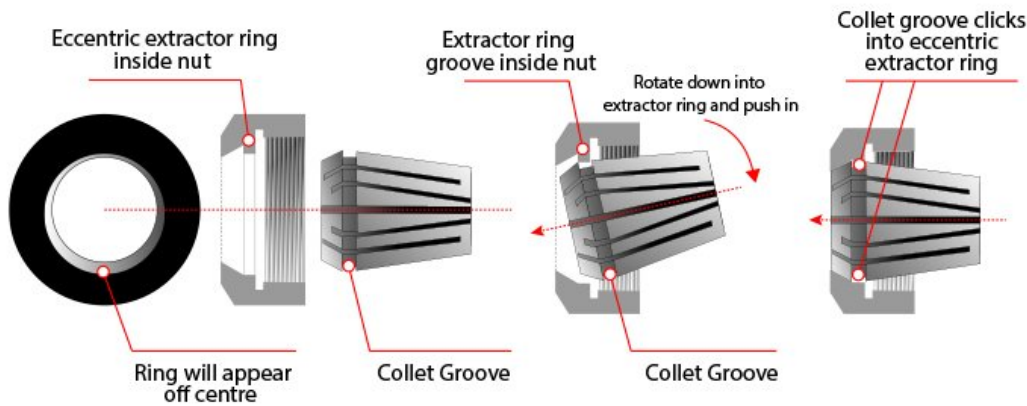
Collet	A	B	L	DIN	RANGE (D)
ER11	11.5	18	6	0.02	0.5-7.0
ER16	17	27	10	0.02	0.5-10.0
ER20	21	31	16	0.02	1.0-13.0
ER25	26	35	25	0.02	1.0-16.0
ER32	33	40	40	0.02	2.0-20.0
ER40	41	46	50	0.03	3.0-26.0

**Installation Guide** - Please see downloads for full details

**1.**

**2.**

**3.**



**Recommended Accessories**

C957  
ER40 Collet Set - 7 Piece

C958  
ER40 Collet Set - 23 Piece

C959  
Collet & Chuck Set - 9 Piece

C963  
Collet & Chuck Set - 25 Piece



Product Brochure For C952

**C960**  
Collet & Chuck Set - 9 Piece



**C961**  
Collet & Chuck Set - 9 Piece



**C962**  
Collet & Chuck Set - 9 Piece



**C964**  
Collet & Chuck Set - 25 Piece



**C965**  
Collet & Chuck Set - 25 Piece



**C966**  
Collet & Chuck Set - 25 Piece



**C967**  
Collet & Chuck Set - 25 Piece



**C138**  
Collet Chuck R8 x ER40



**C111**  
Collet Chuck - NT30 x ER40



**C114**  
Collet Chuck NT40 x ER40



**T226**  
BT40 x ER40-80 Collet Chuck



**T228**  
BT40 x ER40-100 Collet Chuck



## Product Brochure For C952

---

T450

BT50 x ER40-100 Collet Chuck

