

Product Brochure For C964

Collet & Chuck Set - 25 Piece - R8 x ER40

Collet Range Ø3 - Ø26mm
"Made in Taiwan"



On Sale - Package Deal

Ex GST	Inc GST
\$806.00	\$926.90
\$600.00	\$690.00

Package Contents - SAVE \$351.90 (Inc)

1 x C138 - Collet Chuck R8 x ER40 R8 x ER40	\$225.40
1 x C958 - ER40 Collet Set - 23 Piece	\$759.00
1 x C969 - ER40 Collet Chuck Wrench	\$57.50

Normal Price (Inc): \$1,041.90

ORDER CODE:	C964
Chuck Taper:	R8
Collet Type:	ER40
Number of Collets (No.):	23
Collet Diameter Range (Ø):	4-3, 5-4, 6-5, 7-6 & 8-7, 9-8, 10-9, 11-10 & 12-11, 13-12, 14-13 & 15-14, 16-15, 17-16 & 18-17, 19-18, 20-19 & 21-20, 22-21, 23-22 & 24-23, 25-24, 26-25mm
Drawbar Thread:	7/16" UNF



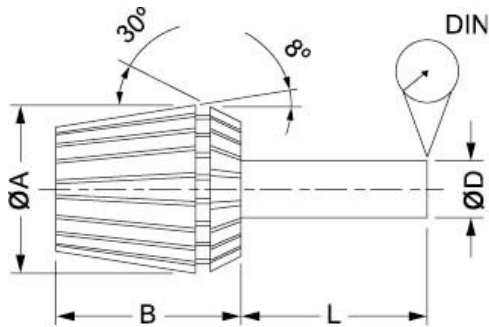
Description

Precision R8 Chuck with ball bearing nut and a full set of ER40 collets.

Features

- Includes spanner
- Chuck and collets as listed
- In blow mould case

Product Brochure For C964



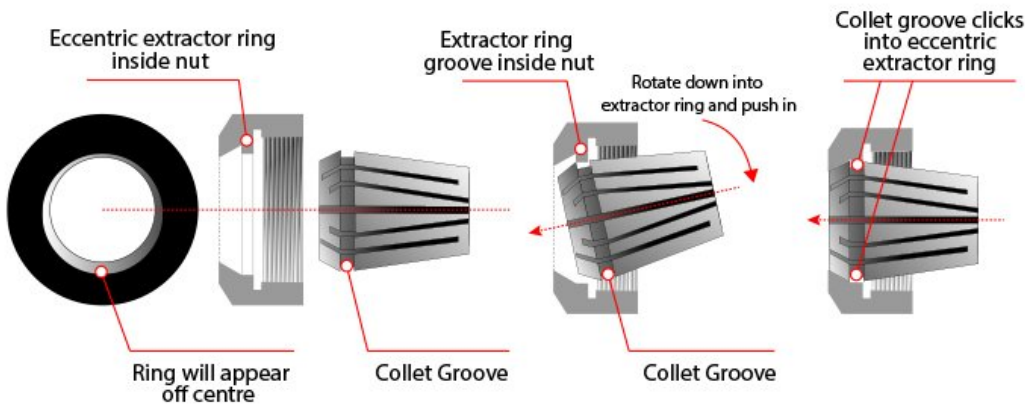
Collet	A	B	L	DIN	RANGE (D)
ER11	11.5	18	6	0.02	0.5-7.0
ER16	17	27	10	0.02	0.5-10.0
ER20	21	31	16	0.02	1.0-13.0
ER25	26	35	25	0.02	1.0-16.0
ER32	33	40	40	0.02	2.0-20.0
ER40	41	46	50	0.03	3.0-26.0

Installation Guide - Please see downloads for full details

1.

2.

3.



Recommended Accessories

C118
Collet Nut - ER40 Ball Bearing Nut

C969
ER40 Collet Chuck Wrench

C138
Collet Chuck R8 x ER40

C934
ER40 Collet

