

Product Brochure For C967

Collet & Chuck Set - 25 Piece - BT40 x ER40

Collet Range Ø3 - Ø26mm
"Made in Taiwan"



Package Deal

Ex GST	Inc GST
\$760.00	\$874.00

Package Contents - SAVE \$154.10 (Inc)

1 x C958 - ER40 Collet Set - 23 Piece	\$759.00
1 x C969 - ER40 Collet Chuck Wrench	\$57.50
1 x T226 - BT40 x ER40-80 Collet Chuck	\$211.60
Normal Price (Inc):	\$1,028.10

ORDER CODE:	C967
Chuck Taper:	BT40
Collet Type:	ER40
Number of Collets (No.):	23
Collet Diameter Range (Ø):	4-3, 5-4, 6-5, 7-6 & 8-7, 9-8, 10-9, 11-10 & 12-11, 13-12, 14-13 & 15-14, 16-15, 17-16 & 18-17, 19-18, 20-19 & 21-20, 22-21, 23-22 & 24-23, 25-24, 26-25mm
Drawbar Thread:	M16



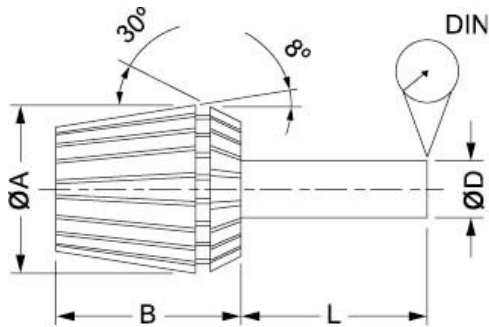
Description

Precision BT40 collet chuck with ball bearing nut and a complete ER40 collet set.

Features

- Includes spanner
- Chuck and collets as listed
- In blow-mould case

Product Brochure For C967



Collet	A	B	L	DIN	RANGE (D)
ER11	11.5	18	6	0.02	0.5-7.0
ER16	17	27	10	0.02	0.5-10.0
ER20	21	31	16	0.02	1.0-13.0
ER25	26	35	25	0.02	1.0-16.0
ER32	33	40	40	0.02	2.0-20.0
ER40	41	46	50	0.03	3.0-26.0

Installation Guide - Please see downloads for full details



Recommended Accessories

C118
Collet Nut - ER40 Ball Bearing Nut

C969
ER40 Collet Chuck Wrench

T226
BT40 x ER40-80 Collet Chuck

T228
BT40 x ER40-100 Collet Chuck



Product Brochure For C967

T142
Pull Stud

T144
Pull Stud

T145
Pull Stud

C934
ER40 Collet

