

## Product Brochure For D732

# 800mm Easson Digital Readout Scale

VS10 Standard Scale  
5µm Resolution



## Description

Easson VS series Glass Grating Linear Transducer: EASSON - Always committed to Quality, Technology & Innovation

## Features

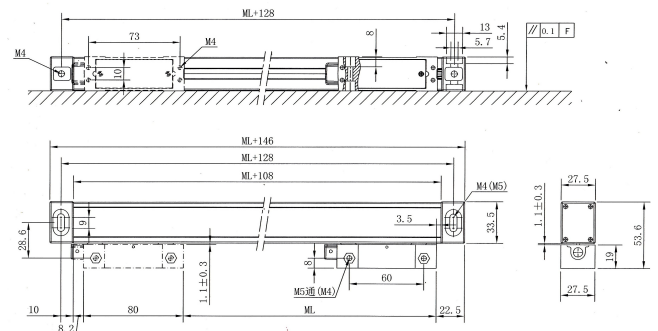
- **DOUBLE SEAL DESIGNED SCALES:**
- The plastic seals of the transducer use an innovative material to offer superior oil resistance, high elastic recovery properties and durability, carefully designed lip geometry offer low slide resistance.
- **100% LASER CALIBRATION:**
- All glass grating transducers are individually inspected and calibrated by our in-house laser calibrator to ensure accuracy complies 100% with the specifications.
- **ADVANCED OPTICAL MEASURING SYSTEM:**
- The slide carrier of the VS series scales, use a five bearing design for optical grating linear transducer which has been proven as the most reliable system design in today's market.
- The glass grating slide-ways are lapped, and JIS standard P5 grade bearings are used to achieve smooth and accurate movement and long working life.
- **D.I.Y. INSTALLATION:**
- An easy-to-follow D.I.Y. Installation Manual is supplied with each system, complete with illustrations and mounting brackets.

**On Sale**

**Ex GST**  
**\$282.00**  
**\$224.35**

**Inc GST**  
**\$324.30**  
**\$258.00**

|                                   |                     |
|-----------------------------------|---------------------|
| ORDER CODE:                       | D732                |
| MODEL:                            | ~                   |
| Type:                             | VS10 Standard Scale |
| Travel - Maximum (mm):            | 800                 |
| Overall Length (L) (mm):          | 946                 |
| Scale Resolution (µm):            | 5                   |
| Grating Pitch:                    | ~                   |
| Accuracy (µm):                    | ±10                 |
| Output Signal:                    | ~                   |
| Connector:                        | ~                   |
| Cable Length (Metre):             | 3                   |
| Working Temperature (°C):         | ~                   |
| Sealing Protection Class:         | ~                   |
| Maximum Speed (M/min):            | ~                   |
| Reference Point:                  | ~                   |
| Width x Height (W x H) (mm):      | 27.5 x 33.5         |
| Backing Support Plate (Yes / No): | No                  |



Product Brochure For D732

| MODEL   | VS 10                                   |              |
|---|---|--------------|
| <b>Measuring Standard</b>   | Glass scale - Grating                   |              |
| <b>Optical Detecting System</b>   | Transmissive Infrared                   |              |
| <b>Slide Carrier System</b>   | Vertical five bearing supporting system | 45° support  |
| <b>Resolution</b>   | 5µm                                     |              |
| <b>Measurement Travel (100-1200mm)</b>  | Every 50mm per length specification     |              |
| <b>Measurement Travel (1300-3000mm)</b>   | -                                       | Every length |
| <b>Accuracy (100-450mm)</b><br><b>Accuracy (500-1000mm)</b><br><b>Accuracy (1050-1250mm)</b><br><b>Accuracy (1300-3000mm)</b> | ±3 - ±5µm<br>±10µm<br>±10µm<br>-        |              |
| <b>Repeatability</b>  | 2µm                                     |              |
| <b>Hysteresis</b>   | 3µm                                     |              |
| <b>Protection</b>   | DIN                                     |              |
| <b>Power Supply</b>   | DC                                      |              |
| <b>Output Signals</b>   |   |              |

Product Brochure For D732

**Specific Features**



DSub9 Male Plug

**Dsub 9**  
9 pin male connector plug

| Pin | TL  | 422A   | Signal | Cable  | Signal | Color |
|-----|-----|--------|--------|--------|--------|-------|
| 1   | —   | —      | A      | Yellow |        |       |
| 2   | 0V  | Orange | 0V     | White  |        |       |
| 3   | —   | —      | B      | Red    |        |       |
| 4   | Gnd | Ground | Gnd    | Ground |        |       |
| 5   | —   | —      | R      | Black  |        |       |
| 6   | A   | Yellow | A      | Green  |        |       |
| 7   | 5V  | Red    | 5V     | Brown  |        |       |
| 8   | B   | Green  | B      | Blue   |        |       |
| 9   | R   | Brown  | R      | Gray   |        |       |

Dsub9 Wiring Diagram



DIY Installation



Parts



Close Up

**Recommended Accessories**

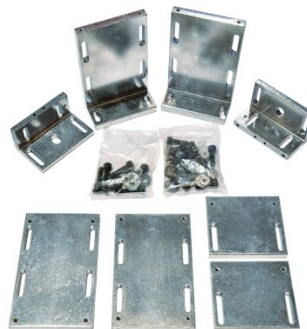
**D709**  
Easson Scales - Extension Cable



**D710**  
Easson Scales - Extension Cable



**D772**  
Digital Readout Scale Mounting Bracket Kit



**D711**  
Adaptor Cable



## Product Brochure For D732

---

D712  
Adaptor Cable

