

Product Brochure For D824

## Boring Sleeve - Straight - CHR 25-32

Suits CNC Lathes  
Ø32mm x Ø25mm



**On Sale - Back In Stock Soon**

Ex GST

~~\$86.00~~

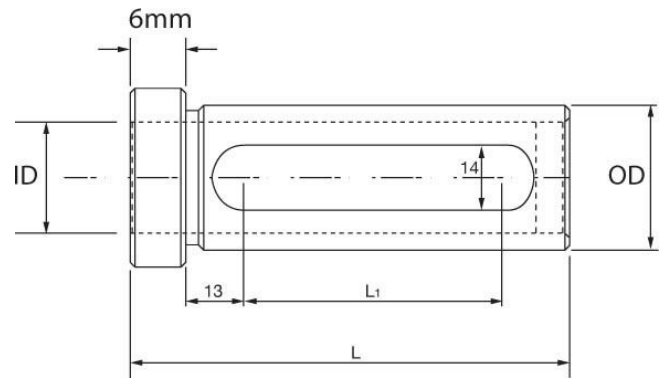
**\$68.70**

Inc GST

~~\$98.90~~

**\$79.00**

ORDER CODE:	D824
MODEL:	CHR 25-32
Type:	Slot
OD (mm):	32
ID (mm):	25mm
L (mm):	86
L1 (mm):	56



### Description

Used in the turrets of CNC lathes to hold boring bars and other cutting tools.  
Universal design allows these sleeves to be fitted to all CNC machines with turrets

### Features

- Precision ground
- Slotted so that the turret clamp screws can clamp directly onto the boring bar or cutter

## Product Brochure For D824

---

### Recommended Accessories

L024

Right Hand Boring Bar

L416

Right Hand Boring Bar

