

Product Brochure For D829

Boring Sleeve - Straight - CHR 32-40

Suits CNC Lathes
Ø40mm x Ø32mm



On Sale - Back In Stock Soon

Ex GST

\$98.00

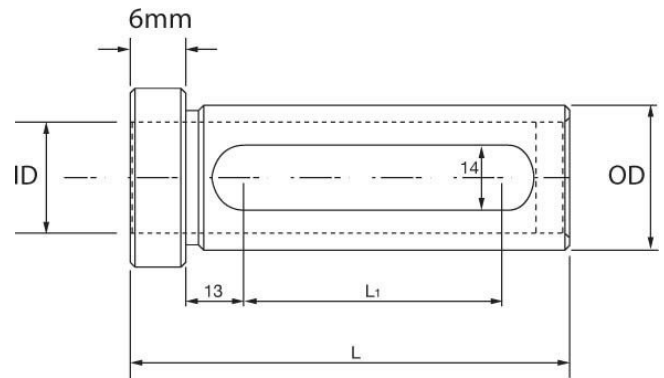
\$76.52

Inc GST

\$112.70

\$88.00

ORDER CODE:	D829
MODEL:	CHR 32-40
Type:	Slot
OD (mm):	40
ID (mm):	32mm
L (mm):	96
L1 (mm):	66



Description

Used in the turrets of CNC lathes to hold boring bars and other cutting tools.
Universal design allows these sleeves to be fitted to all CNC machines with turrets

Features

- Precision ground
- Slotted so that the turret clamp screws can clamp directly onto the boring bar or cutter