

Product Brochure For E084

## 2.5HP Electric Motor - EM25-28

2800rpm, Ø19mm Shaft



**On Sale**

Ex GST	Inc GST
<del>\$366.00</del>	<del>\$420.90</del>
<b>\$286.96</b>	<b>\$330.00</b>

ORDER CODE:	E084
MODEL:	EM25-28
Motor Power (kW / hp):	1.875 / 2.5
Speed (rpm):	2800
Shaft Diameter (mm):	Ø19
Reversible Motor (Yes / No):	Yes
Fan Cooled (Yes / No):	Yes
Voltage (V):	240
Amps Required:	15
Input Power Supply Connection:	Includes Plug & Lead



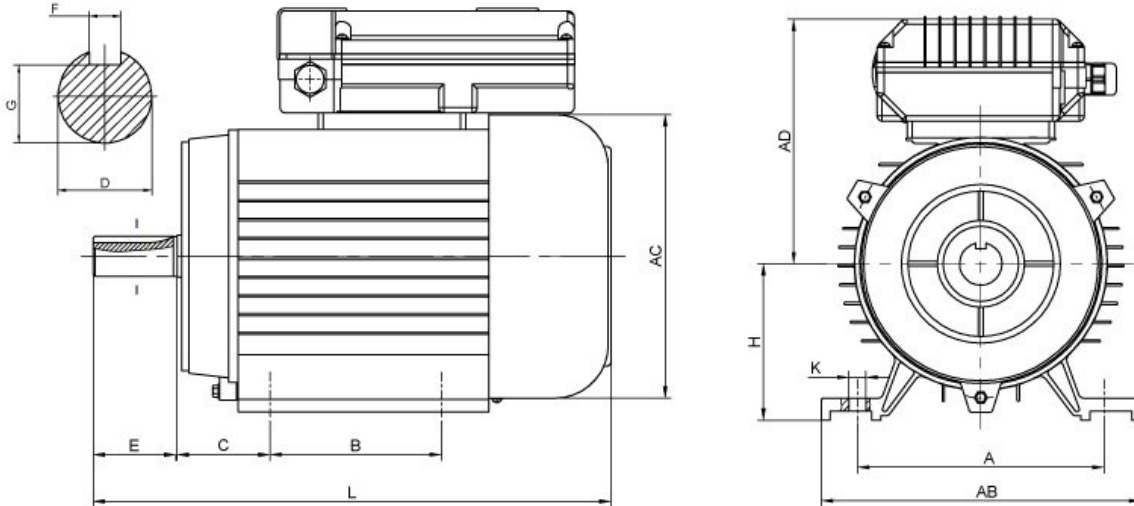
### Description

Suited for most general applications.

### Features

- 240V motor
- TEFC - (Totally enclosed fan cooled)
- Reversible motor shaft direction
- Thermal overload with manual reset
- Foot mounted

Product Brochure For E084



Model	Mounting Dimensions (mm)										Overall Dimensions (mm)			
	A	B	C	D	E	F	G	H	K	AB	AC	AD	L	
<b>EM1-14</b>	125	100	50	15.9	40	4.8	13	80	10	155	156	160	295	
<b>EM25-28</b>	140	100	56	19	50	6	16	90	10	168	174	155	320	
<b>EM2-14</b>	140	125	56	19	50	6	16	90	10	168	174	155	345	
<b>EM3-28</b>	140	125	56	19	50	6	16	90	10	168	174	155	345	

Specific Features



Shown with Lead

SINGLE PHASE INDUCTION MOTOR				CE
FRAME	MEC90	POWER	2.5HP	
VOLTS	240V/50HZ	AMPS	11	
R.P.M.	2800	INS.CLS.	B	
RATING COMP.	30uF/450V	100uF/350V		
IP54	MANUAL RESET OVERLOAD			
DATE	2011-08			

Specifications