

Product Brochure For H250

Electric Chain Hoist - TECH0103

1 Tonne x 3 Metre Lift
Single Speed: 6m/min. Lift Speed



On Sale

Ex GST	Inc GST
\$2,650.00	\$3,047.50
\$2,234.78	\$2,570.00

ORDER CODE:	H250
MODEL:	TECH0103
Capacity (Tonne):	1
Lift Height (Metre):	3
Lift Speed (m/min):	6
Motor Power (W):	1200
Voltage (V):	240



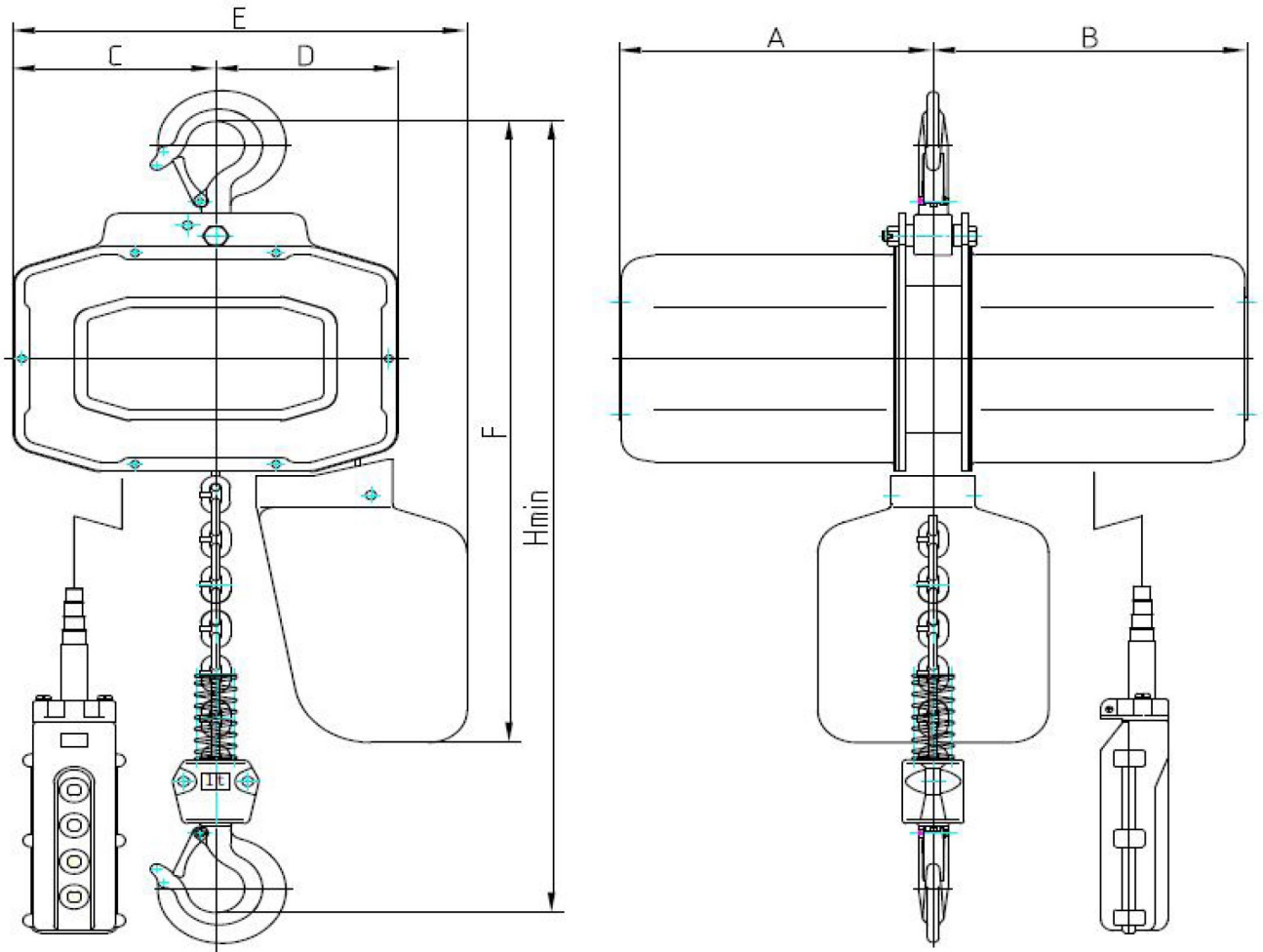
Description

Thermal Prevention Device Fitted

Features

- Light weight, compact design with high efficiency motor
- Pressed steel structure, high strength body
- High tensile alloy steel top & bottom hooks
- Grade 80 - 7.1mm Alloy Steel load chain
- Limit switches fitted at top and bottom ends to prevent chain run-out
- 240V , 50Hz Single speed Motor 1200 Watts

Main Dimension of TECH Series Electric Chain Hoist



Model	TECH0103 / TECH0106	TECH0203 / TECH0206
A	245	245
B	245	245
C	158	124
D	142	176
E	350	350
F	600	610
H	520	630

Product Brochure For H250

Recommended Accessories

C147
Girder Trolley



H300
Round Sling



H316
Flat Sling



H305
Round Sling



H318
Flat Sling



H308
Round Sling



H307
Round Sling



H320
Flat Sling



Product Brochure For H250

H310
Round Sling

H314
Round Sling

H322
Flat Sling

H312
Round Sling



H324
Flat Sling

