

Product Brochure For H257

## Compact Wire Rope Hoist - TBH250

250kg Lifting Capacity  
30 Metre Lifting Height



**On Sale**

Ex GST	Inc GST
<del>\$1,100.00</del>	<del>\$1,265.00</del>
<b>\$1,000.00</b>	<b>\$1,150.00</b>

ORDER CODE:	H257
Model:	TBH250
Brand:	TOHO
Lifting Capacity (kg):	250
Lifting Height (Metre):	30
Speed (m/min):	19
Pendant Control Length (Metre):	10
Wire Rope Diameter (mm):	5
Motor Output (kW):	1.5
Voltage (V):	240
Nett Weight (kg):	22



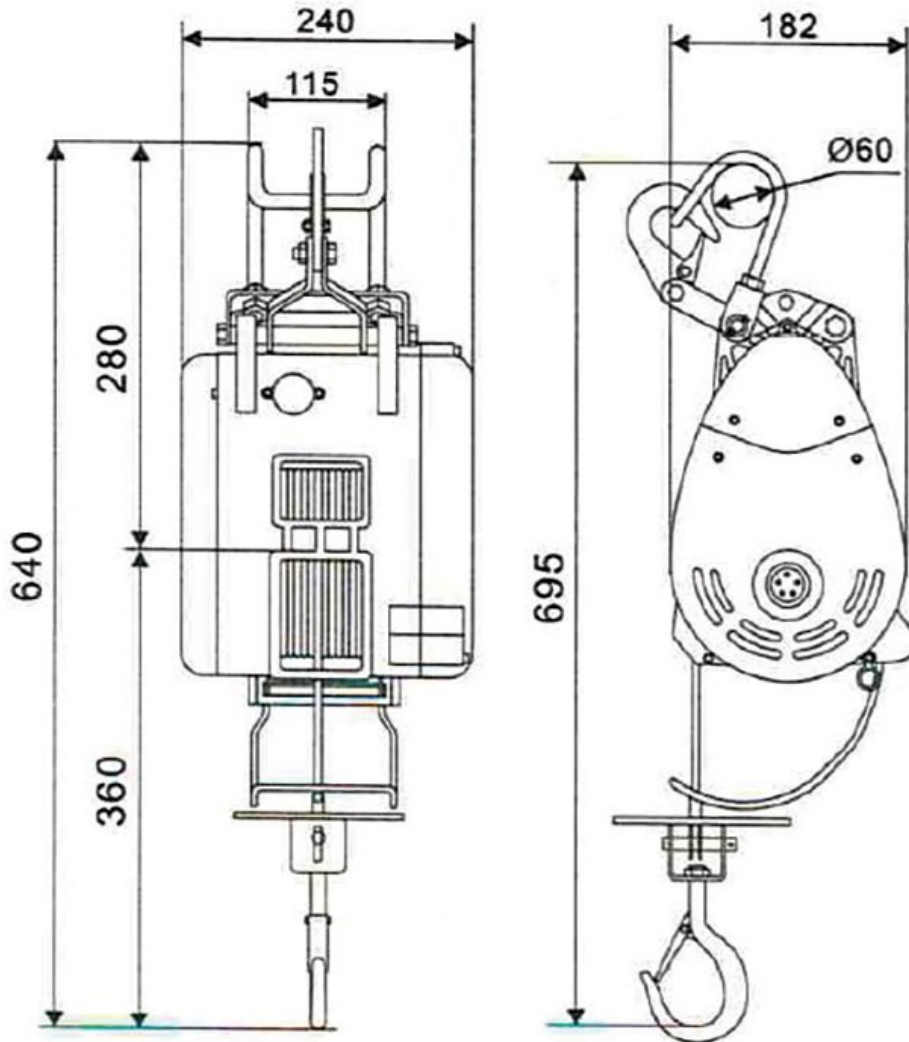
### Description

Designed for use on building sites and multi-storey units, these compact electric rope hoists are also suitable for a wide range of applications in warehouses, storage areas, factories, etc.

### Features

- Light weight and compact design allowing for easy installation
- Automatic upper limit switch, when rope disc touches the limit arm, hoisting is automatically stopped
- Lower overwind limit switch
- Dynamic and mechanical brake providing instant and safe braking
- Convenient 240 volt/single phase power supply
- Sensor arm automatically stops motor if the wire rope is under-wound
- Wire rope with 360° weighted hook with safety latch
- Supplied with 3 metre power lead and industry plug & 10 metre heavy duty IP65 waterproof pendant control
- Complies with AS/NZS 1418.2 standard

Product Brochure For H257



Product Brochure For H257

**Recommended Accessories**

C147  
Girder Trolley



H300  
Round Sling



H316  
Flat Sling



H305  
Round Sling



H318  
Flat Sling



H308  
Round Sling



H307  
Round Sling



H320  
Flat Sling



Product Brochure For H257

---

H310  
Round Sling

H314  
Round Sling

H322  
Flat Sling

H312  
Round Sling



H324  
Flat Sling

