

Product Brochure For H2581

## Electric Chain Hoist - TECH0106

1 Tonne x 6 Metre Lift  
Single speed



**On Sale**

Ex GST	Inc GST
<del>\$2,700.00</del>	<del>\$3,105.00</del>
<b>\$2,565.22</b>	<b>\$2,950.00</b>

ORDER CODE:	H2581
MODEL:	TECH0106
Capacity (Tonne):	1
Lift Height (Metre):	6
Lift Speed (m/min):	6
Motor Power (W):	1200
Voltage (V):	240



### Description

0.5 Mini Hoist, 1 and 2 Tonne Standard Hoists ex stock - re-chain options available

### Features

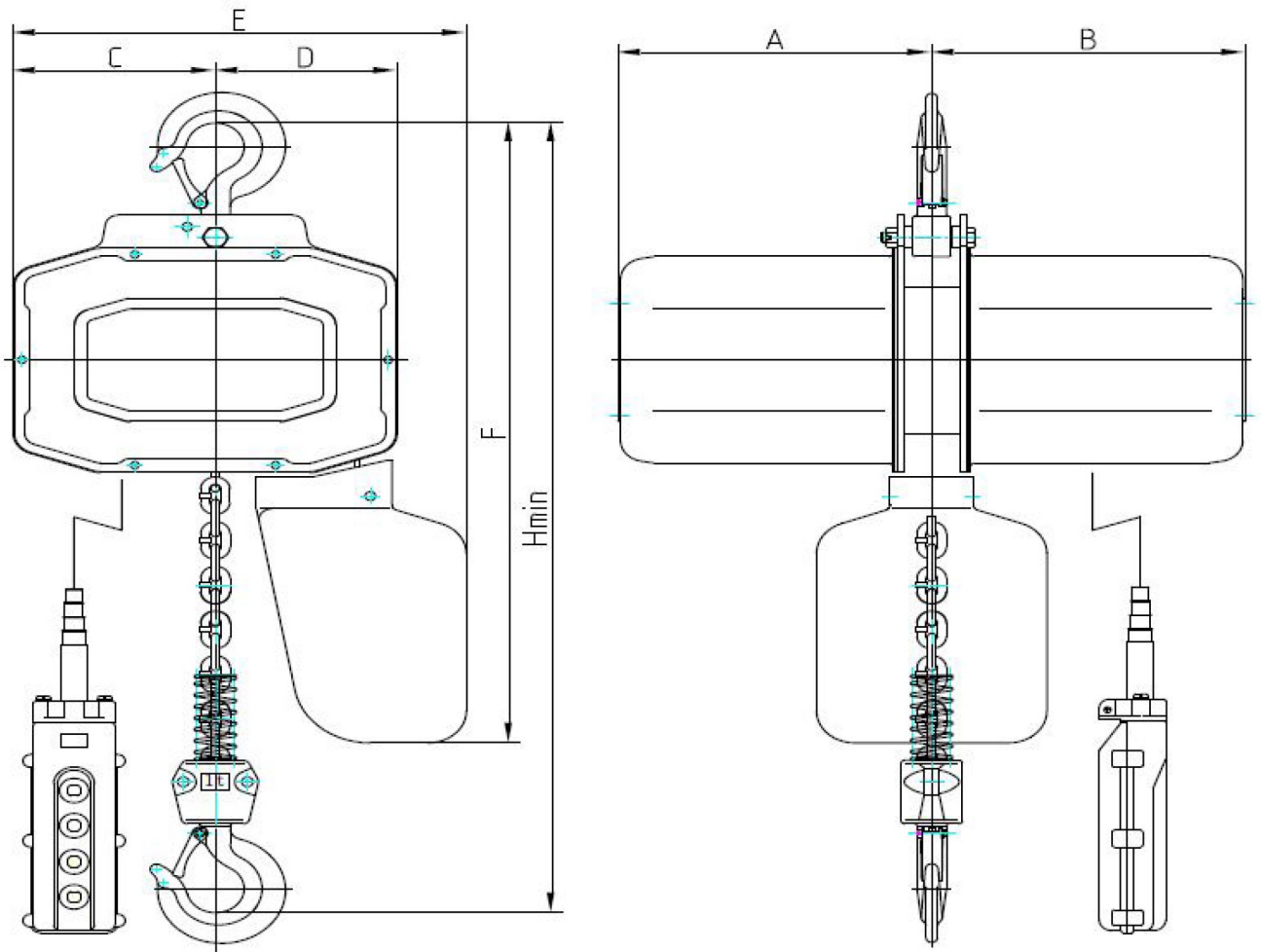
- Load Limited
- Thermal Overload Prevention
- Emergency Stop
- Light weight, compact design with high efficiency motor
- Pressed steel structure, high strength body
- High tensile alloy steel top & bottom hooks
- Grade 80 - Alloy Steel load chain
- Limit switches fitted at top and bottom ends to prevent chain runout
- 240V, 50Hz Single speed Motor 1200W. (Single Phase)
- IP Rating: Hoist IP54 / Control IP65

### Optional Accessories

- Available with customisable chain lengths and an optional wireless remote for added convenience (additional costs may apply)

Product Brochure For H2581

## Main Dimension of TECH Series Electric Chain Hoist



Model	TECH0103 / TECH0106	TECH0203 / TECH0206
A	245	245
B	245	245
C	158	124
D	142	176
E	350	350
F	600	610
H	520	630

Product Brochure For H2581

**Recommended Accessories**

C147  
Girder Trolley



C146  
Girder Clamp



H352  
13mm 2T Grade S - Lifting Bow Shackle



H350  
11mm 1.5T Grade S - Lifting Bow Shackle



H308  
Round Sling



H307  
Round Sling



H320  
Flat Sling



H322  
Flat Sling



Product Brochure For H2581

---

H312  
Round Sling



C188  
Mobile Girder Rail Gantry



C191  
Digital Crane Scale

