

Product Brochure For H2582

Electric Chain Hoist - TECH0203

2 Tonne x 3 Metre Lift
Single speed



On Sale - Limited Stock

Ex GST	Inc GST
\$2,950.00	\$3,392.50
\$2,852.17	\$3,280.00

ORDER CODE:	H2582
MODEL:	TECH0203
Capacity (Tonne):	2
Lift Height (Metre):	3
Lift Speed (m/min):	3
Motor Power (W):	1200
Voltage (V):	240



Description

0.5 Mini Hoist, 1 and 2 Tonne Standard Hoists ex stock - re-chain options available

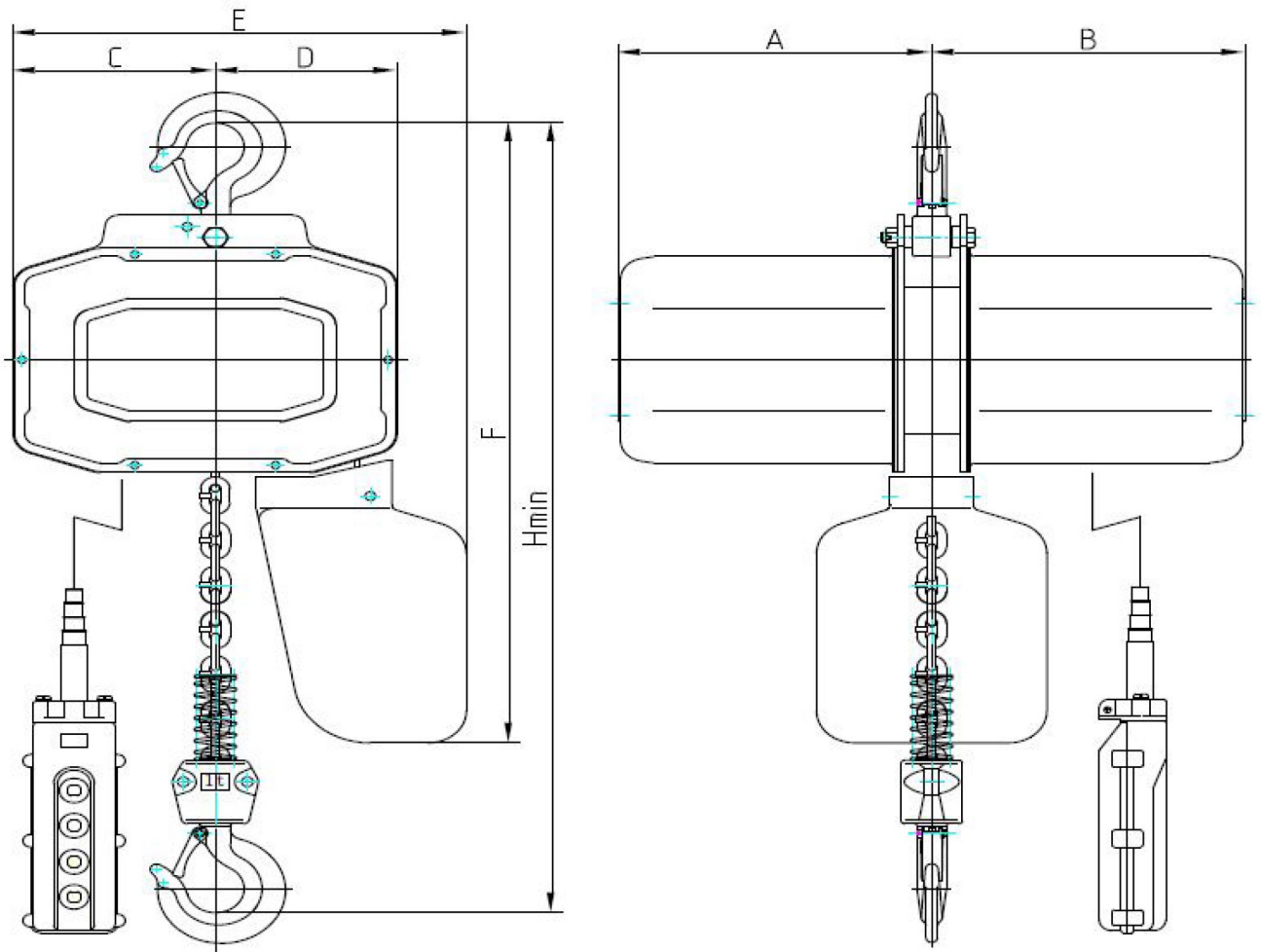
Features

- Load Limited
- Thermal Overload Prevention
- Emergency Stop
- Light weight, compact design with high efficiency motor
- Pressed steel structure, high strength body
- High tensile alloy steel top & bottom hooks
- Grade 80 - Alloy Steel load chain
- Limit switches fitted at top and bottom ends to prevent chain runout
- 240V, 50Hz Single speed Motor 1200W. (Single Phase)
- IP Rating: Hoist IP54 / Control IP65

Optional Accessories

- Available with customisable chain lengths and an optional wireless remote for added convenience (additional costs may apply)

Main Dimension of TECH Series Electric Chain Hoist



Model	TECH0103 / TECH0106	TECH0203 / TECH0206
A	245	245
B	245	245
C	158	124
D	142	176
E	350	350
F	600	610
H	520	630

Product Brochure For H2582

Recommended Accessories

C147
Girder Trolley



C146
Girder Clamp



H352
13mm 2T Grade S - Lifting Bow Shackle



H350
11mm 1.5T Grade S - Lifting Bow Shackle



H308
Round Sling



H307
Round Sling



H320
Flat Sling



H322
Flat Sling



Product Brochure For H2582

H312
Round Sling



C188
Mobile Girder Rail Gantry



C191
Digital Crane Scale

