

Product Brochure For H9011

Folding Handwheel - ABS

Ø100mm

Steel centre supplied standard with 8mm bore



On Sale

Ex GST

~~\$38.00~~

\$29.57

Inc GST

~~\$43.70~~

\$34.00

ORDER CODE:	H9011
Brand:	H9011
Wheel Diameter (mm):	HAFCO
Handle Type:	100
Handle Size (mm):	Folding
Screw Length (mm):	50
Outside Thread:	~
Internal Thread:	~
Pack QTY:	~



Description

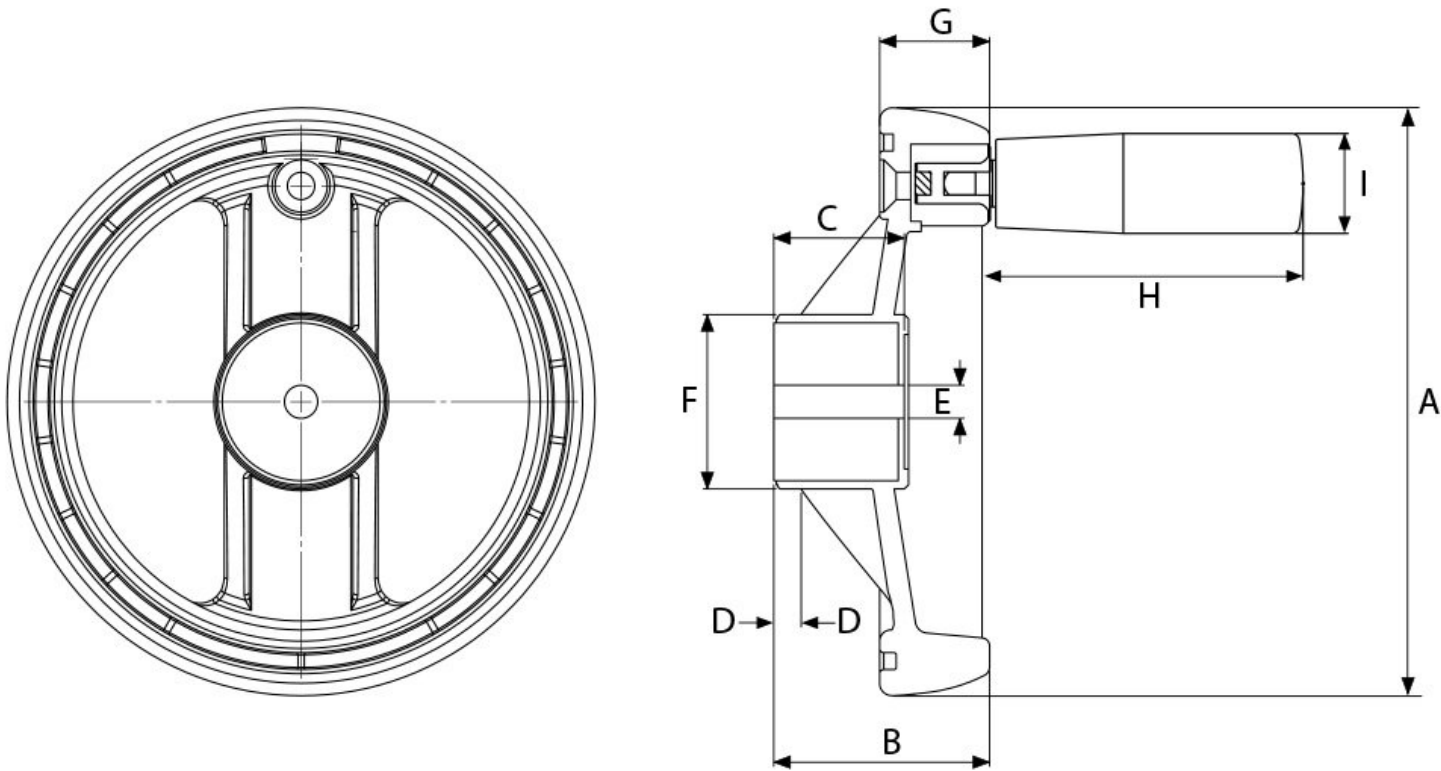
Ø100mm ABS handwheel with steel centre
50mm folding type phenolic handle
Black coloured finish
Threaded grub screw to secure handwheel

Features

- Foldable Handle
- Threaded grub screw
- Steel centre supplied standard with 8mm bore that requires machining to suit your application.

Product Brochure For H9011

Hand Wheel - Folding Handle



All measurements in mm & Kgs

Order Code	Model No.	A	B	C	D	E	F	G	H	I	Weight
H9010	PHW-80F	80	40	24.5	3	6	30	19.5	57	19	0.19
H9011	PHW-100F	100	40	24.5	3	8	36	21.5	67	21	0.28
H9012	PHW-125F	125	47	26.5	3	8	39	25.5	86	23	0.42

Product Brochure For H9011

Specific Features



Handle Folde Flat



Side View



Rear View



Bottom View



Grub Screw Attachment