

Product Brochure For H9018

Aluminium Handwheel - Revolving Handle

Ø100mm

Aluminium centre supplied standard with 8mm bore

On Sale

Ex GST

Inc GST

~~\$38.00~~

~~\$43.70~~

\$29.57

\$34.00



| | |
|----------------------|-----------|
| ORDER CODE: | H9018 |
| Brand: | H9018 |
| Wheel Diameter (mm): | HAFCO |
| Handle Type: | 100 |
| Handle Size (mm): | Revolving |
| Screw Length (mm): | 65 |
| Outside Thread: | ~ |
| Internal Thread: | ~ |
| Pack QTY: | ~ |



Description

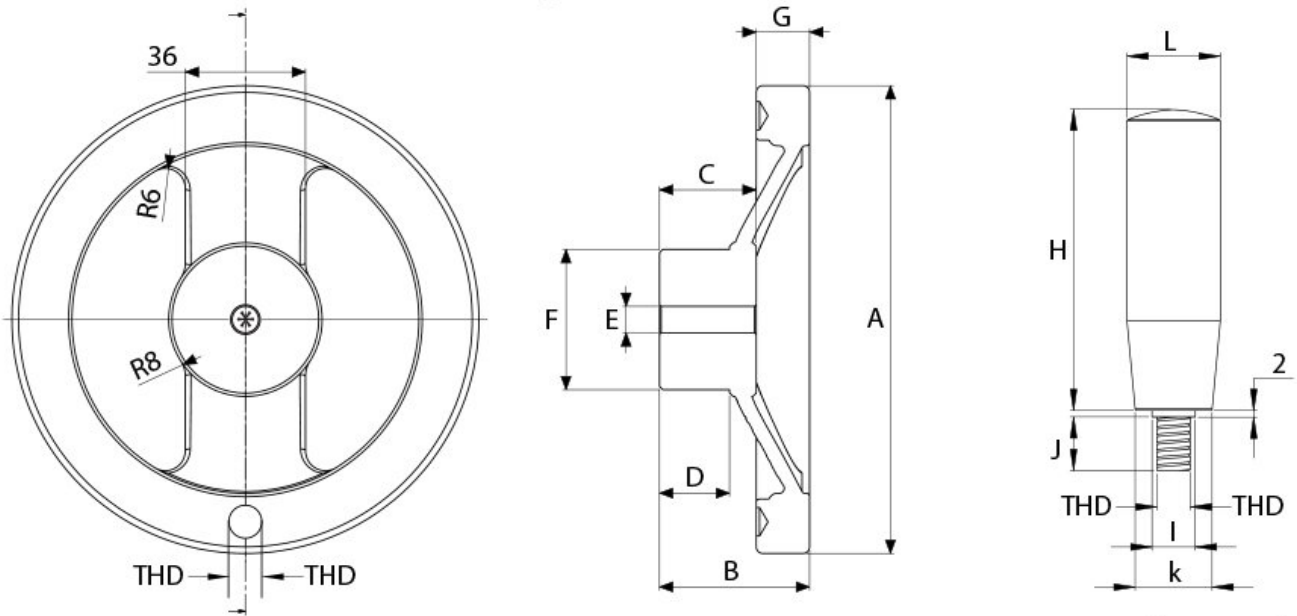
Ø100mm die-cast aluminium handwheel
65mm revolving type phenolic handle
Black coloured finish
Threaded grub screw to secure handwheel

Features

- Revolving phenolic handle
- Threaded grub screw
- Aluminium centre supplied standard with 8mm bore that requires machining to suit your application.

Product Brochure For H9018

Aluminium Hand Wheel - Revolving Handle



All measurements in mm & Kgs

| Order Code | Model No. | A | B | C | D | E | F | G | H | I | J | THD | K | L | Weight |
|------------|-----------|-----|----|----|----|----|----|----|----|----|----|-----|----|----|--------|
| H9018 | AHW-100 | 100 | 34 | 23 | 15 | 8 | 38 | 14 | 65 | 12 | 12 | M8 | 19 | 23 | 0.30 |
| H9019 | AHW-125 | 125 | 41 | 25 | 16 | 8 | 40 | 15 | 65 | 12 | 12 | M8 | 19 | 23 | 0.40 |
| H9021 | AHW-160 | 160 | 46 | 30 | 19 | 8 | 42 | 18 | 80 | 13 | 16 | M10 | 21 | 26 | 0.68 |
| H9022 | AHW-200 | 200 | 55 | 38 | 18 | 10 | 49 | 21 | 90 | 16 | 13 | M10 | 23 | 28 | 1.06 |

* Aluminium centre supplied standard that requires machining to suit your application

Product Brochure For H9018

Specific Features



Side View



Rear View



Bottom View



Grub Screw Attachment