

Product Brochure For K4042

3D Welding Table Package Deal - WT3D-6090PLUS

600 x 900mm Tabletop with 5mm Steel Construction

On Sale

Ex GST

Inc GST

~~\$976.00~~

~~\$1,122.40~~

\$809.57

\$931.00



ORDER CODE:	W08458
MODEL:	WT3D-6090E
Type:	3D
Table Hole Diameter (Ø):	16mm
Table Top Size (mm):	600 x 900
Table Height with Stand (mm):	~
Table Side Height (mm):	100
Top Plate Thickness (mm):	5
Grid Pattern (mm):	50 x 50
Table Slots (mm):	~
Table Load Capacity (kg):	~
Nett Weight (kg):	65



Description

With a 5mm table surface thickness it gives you a solid surface to suit most welding applications, the tabletop is 600 x 900mm giving you a well-proportioned size that won't take up too much space in your workshop. The 3D design gives you the ability to fix to not only the top but also the sides of the table & with an all-metal self-weld frame with 100mm side plates & 100 x 5mm steel webbing ribs to ensure the table surface remains flat during & after assembly. The heavy duty 50 x 50mm powder coated SHS steel legs come standard with castor mounting plates, simply cut the legs to your desired length, weld on the castor plates add the castor wheels, your table is now mobile.

To make this a functional package we have included is our 40pc welding table clamp kit, a magnetic mig torch holder & a set of 4 castor wheels to create a great little mobile welding station making it the perfect solution for both welding and clamping applications.

NOTE - THIS ITEM COMES FLAT PACKED & REQUIRES ASSEMBLY & WELDING. Additional equipment including a welder is required for assembly, please review our construction guide via our downloads for a list of the required items

Features

- 600 x 900mm Tabletop with 5mm steel plate surface
- 3D table design to allow you to utilize the top & table sides for fixturing
- Precision laser cut 16mm fixing holes with a 50 x 50mm hole grid pattern
- 100mm x 5mm steel ribs to ensure table surface remains flat during & after assembly
- Heavy 50mm square legs with laser cut castor mount plates supplied as standard
- Welding clamp kit to suit both round & square material
- 2 Fixed & 2 swivel castors with brakes

Includes

- WT3D-6090E Welding Table
- SRK-40 Welding Table Clamp Set 40pc
- MTH-1 Mig Torch Holder
- CW-102 Castor Wheel Set (4Pc)

Optional Accessories

- Adjustable welding table clamps (W08520)

Product Brochure For K4042

Specific Features



600 x 900 x 100mm 3D Welding Table



40 Piece Clamp Kit



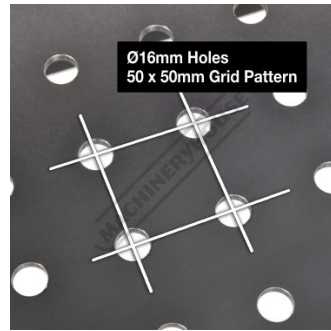
Magnetic MIG Torch Holder



2 x Fixed Wheel



2 x Swivel Wheel With Brake



16mm Holes with 50 x 50mm Hole Centres



Rib Design for Strength



Steel Leg Bracing with Adjustable Feet



Includes 4 x Base Plates for Optional Castor Wheels

Product Brochure For K4042

Recommended Accessories

W08500

40pc Square & Round Welding Table Clamp Kit



W08510

Weld Clamps with Locking Nuts (2 Piece Pack)



W08511

Weld Clamps with Locking Nuts (2 Piece Pack)



W08513

25mm x M12 Multi-Purpose Riser/Stops (Spigot Type) - 4pc Pack



W08515

38mm x M12 Multi-Purpose Riser/Stops (Spigot Type) - 4pc Pack



C408

Industrial Caster Wheel Set



W1081

Multi Angle Corner Magnets - 2pc Pack



W1082

Multi Angle Corner Magnets - 2pc Pack



Product Brochure For K4042

W10362
Magnetic MIG Torch Rest



W112
Micro Welding Steel Clamp Set



W113
Butt Welding Aluminium & Steel Clamp Set



W1028
4 In One Utility Clamping System



W1005
Snake Magnet & Spring Clamp



W1006
Adjust-O Magnet Square - Heavy Duty



W1007
Adjust-O Magnet Square - Heavy Duty



W1010
Corner Magnets - (2-Pack)



W1011
XYZ Magnet Squares - Multi-Angle - (2-Pack)



W1012
Adjustable Corner Clamping Plier Set



W1013
Corner Clamping Plier



W1014
Pipe Plier - Large



Product Brochure For K4042

W1015
Pipe Plier

W1016
Locking C-Clamp - Round Tip

W1017
Locking C-Clamp - Swivel Tip

W1018
Locking C-Clamp - Swivel Tip

