

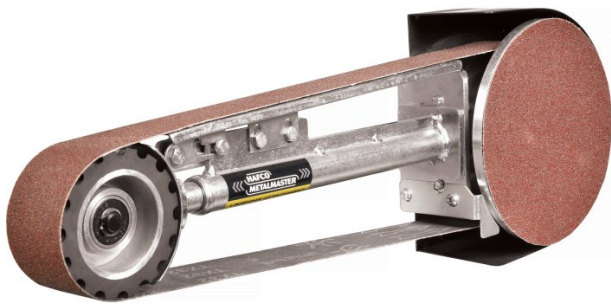
Product Brochure For L0921

## Belt & Disc Linishing Attachment - HLA-1220

Suits most 200mm Bench Grinders  
50 x 1220mm Linishing Belt & 178mm Sanding Disc

**On Sale**

Ex GST	Inc GST
<del>\$220.00</del>	<del>\$253.00</del>
<b>\$180.00</b>	<b>\$207.00</b>



ORDER CODE:	L0921
MODEL:	~
Type:	~
Table Size (mm):	~
Belt Size (mm):	50 x 1220
Disc Diameter (mm / Inch):	178
Suits:	200mm Grinders



### Description

This linishing attachment is perfect for a variety of finishing tasks, including tool sharpening, edge sanding, weld smoothing, deburring, and polishing. Suitable for use on materials such as wood, plastics, metals, and ceramics, this attachment is designed to fit most 200mm bench grinders with screw-mounted guards.

### Features

- 50 x 1220mm linishing attachment with Ø178mm sanding disc
- Suits most 200mm Bench grinders (min 3/4 HP)
- Quick & easy adjustable belt tracking system
- Toolless belt change system, change belts in a matter of seconds
- Grind, sand, shape, polish or refinish nearly any material
- Used on many materials such as wood, plastics, metals and ceramics

### Includes

- 50 x 1220mm linishing belt
- Ø178mm sanding disc

Product Brochure For L0921

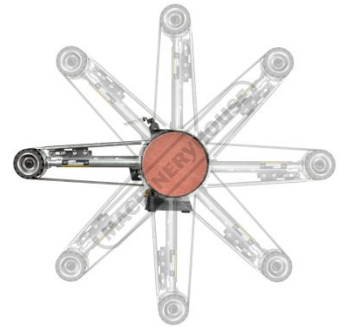
**Specific Features**



Fitted To Optional Bench Grinder G142 Adjustable Belt Tensioner



Large Work Surface-Quick Action Belt Change 360 Degree Head Rotation



**Recommended Accessories**

G142  
Industrial Bench Grinder

A8030  
40G Aluminium Oxide Linishing  
Belt Pack

A8031  
60G Aluminium Oxide Linishing  
Belt Pack

A8032  
80G Aluminium Oxide Linishing  
Belt Pack



A8033  
100G Aluminium Oxide Linishing  
Belt Pack

A8034  
120G Aluminium Oxide Linishing  
Belt Pack

A8037  
40G Zirconia Linishing Belt Pack

A8038  
60G Zirconia Linishing Belt Pack



Product Brochure For L0921

**A8039**  
80G Zirconia Linishing Belt Pack



**A8040**  
100G Zirconia Linishing Belt Pack



**A8041**  
120G Zirconia Linishing Belt Pack



**A48200**  
Scotch Belt Linishing Belt - Coarse Brown



**A48201**  
Scotch Belt Linishing Belt - Medium Red



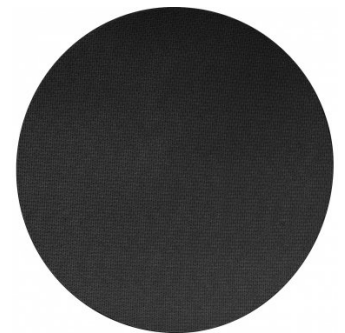
**A48202**  
Scotch Belt Linishing Belt - Fine Blue



**A48203**  
Scotch Belt Linishing Belt - Super Fine Grey



**A0700**  
178mm (7") Hook & Loop Backing Disc



**A5332**  
60G x 178mm (7") Aluminium Oxide Sanding Disc Pack



**A5333**  
80G x 178mm (7") Aluminium Oxide Sanding Disc Pack



**A5334**  
100G x 178mm (7") Aluminium Oxide Sanding Disc Pack



**A5335**  
120G x 178mm (7") Aluminium Oxide Sanding Disc Pack



Product Brochure For L0921

---

**L086**  
Multitool Tilting Table & Mitre Guide



**L083**  
Multitool Chisel Sharpening Jig



**G183**  
Abrasive Belt & Disc Cleaning Stick



**L085A**  
Multitool Contact Wheel

