

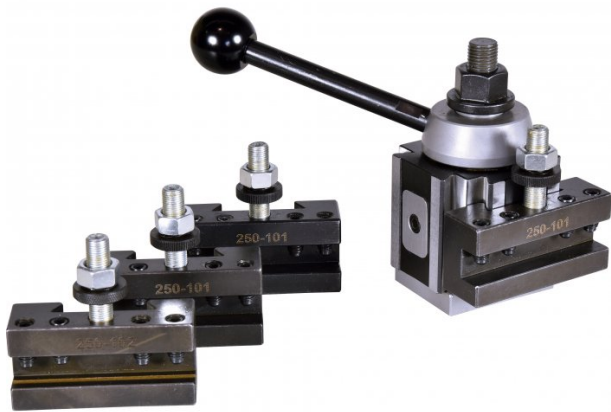
Product Brochure For L291

# Quick Change Toolpost - QA-120

125mm Centre Height

**On Sale**

<b>Ex GST</b>	<b>Inc GST</b>
<b>\$196.00</b>	<b>\$225.40</b>
<b>\$149.57</b>	<b>\$172.00</b>



ORDER CODE:	L291
MODEL:	QA-120
Lathe Centre Height (mm):	115 - 125
Lathe Swing (mm):	230 - 250
A (mm):	19
B (mm):	11
C (mm):	52
D (mm):	63.5
E (mm):	36.512
H (mm):	23
h (mm):	57.15
S (mm):	M14 x 1.5
T (mm):	12
Y (mm):	95.25
Number of Sides (No.):	2
Number of Holders (No.):	4
Nett Weight (kg):	3.6



### Description

Manufactured from carbonised and hardened steel.

### Features

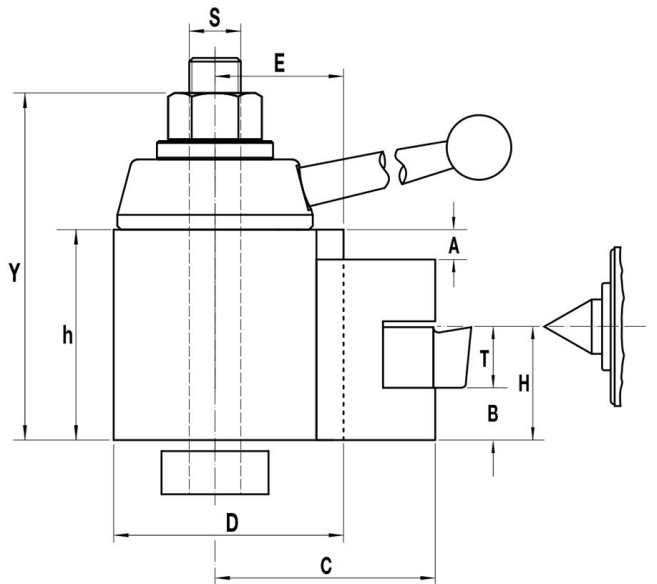
- All bearing surfaces are precision ground to ensure rigidity
- Handy lathe accessory for tool rooms and general engineering shops
- Ease of operation cuts set-up time by 90%
- No shims are required to adjust tools to correct centre height
- Easily fitted to most centre lathes
- Please Note: Some machining required to suit your lathe

### Includes

- 1 x "V" holder for boring bar 250-102
- 3 x square toolholders 250-101

### Optional Accessories

- Holders - L291A, L291B, L291C



Product Brochure For L291

**Specific Features**



Holder Profile



Toolpost

**Recommended Accessories**

L291B

Quick Change Toolpost Holder - Parting



L291C

Quick Change Toolpost Holder - Knurling



L149

Bench Lathe



L689

Opti-Turn Bench Lathe



L0085

Carbide Turning Tool Set - 11 piece



L072

HSS Turning Tool Set - 4 piece



L0055

Lathe Turning Tool Kit - 5 piece Insert Type



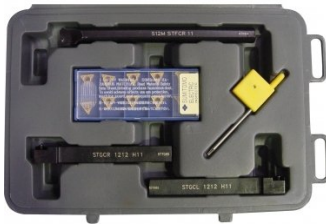
L0099

Lathe Turning Tool Kit - 7 piece Insert Type



Product Brochure For L291

**L450**  
Lathe Turning Tool Kit - 3 piece  
Insert Type



**L456**  
Lathe Threading Tool Kit - Insert  
Type



**L015**  
Right Hand Turning Tool Holder



**L016**  
Left Hand Turning Tool Holder



**L031**  
External Threading



**L006A**  
Boring Bar Set - HSS



**L431**  
Boring Bar Set - Carbide Insert



**L020**  
Right Hand Boring Bar



**L0201**  
Right Hand Boring Bar



**L021**  
Right Hand Boring Bar



**L0100**  
Parting Kit 12mm



**L464**  
Professional Lathe Parting Tool  
Kit - Insert Type

