

Product Brochure For L292

Quick Change Toolpost - QA-140

150 - 170mm Lathe Centre Height



On Sale

Ex GST	Inc GST
\$220.00	\$253.00
\$175.65	\$202.00

ORDER CODE:	L292
MODEL:	QA-140
Lathe Centre Height (mm):	150 - 170
Lathe Swing (mm):	300 - 340
A (mm):	25
B (mm):	12.65
C (mm):	61
D (mm):	72.6
E (mm):	41
H (mm):	28.65
h (mm):	69.85
S (mm):	M16 x 1.5
T (mm):	16
Y (mm):	112
Number of Sides (No.):	2
Number of Holders (No.):	4
Nett Weight (kg):	6.2



Description

Manufactured from carbonised and hardened steel.

Features

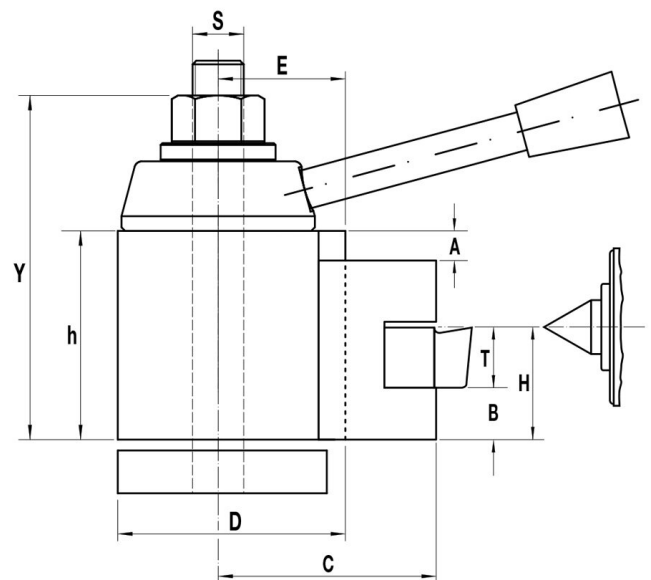
- All bearing surfaces are precision ground to ensure rigidity
- Handy lathe accessory for tool rooms and general engineering shops
- Ease of operation cuts set-up time by 90%
- No shims are required to adjust tools to correct centre height
- Easily fitted to most centre lathes
- Please Note: Some machining required to suit your lathe

Includes

- 4 x Square Tool Holders - for 16mm tools

Optional Accessories

- Holders - L292A, L292B, L292C



Product Brochure For L292

Specific Features



Toolpost Rear View



Toolpost



Toolpost With Holder



Holders



Holder Profiles

Recommended Accessories

L292A

Quick Change Toolpost Holder - Std



L292B

Quick Change Toolpost Holder - PartingStd



L292C

Quick Change Toolpost - Knurling Holder



L141

Bench Lathe



Product Brochure For L292

L691
Opti-Turn Bench Lathe



Stand Sold Separately

L682
Centre Lathe



L451
Lathe Turning Tool Kit - 3 piece
Insert Type



L465
Professional Lathe Parting Tool
Kit - Insert Type



L457
Lathe Threading Tool Kit - Insert
Type



L0077
Lathe Turning Tool Kit - 7 piece
Insert Type

