

Product Brochure For L761

Lathe - Boring Ring for Chuck Soft Jaws

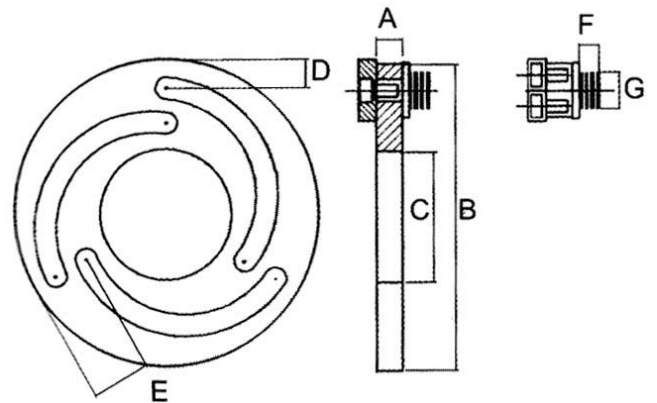
Ø8" (Ø200mm)

On Sale - Back In Stock Soon

Ex GST	Inc GST
\$354.00	\$407.10
\$283.48	\$326.00



ORDER CODE:	L761
Size (inch):	8"
A (mm):	12
B (mm):	218
C (mm):	115
D (mm):	15
E (mm):	36
F (mm):	9
G (mm):	18.5
Nett Weight (kg):	2.4



Description

To suit any lathe that uses soft jaws. The ring is used to hold the jaws in place so the the soft jaws can be machined to a certain size.

Material SCM440

Features

- Maintains a high level of accuracy
- The operation process is as follows
- 1. Set the jaws to the correct position that will allow the diameter required to be machined.
- 2. Adjust the boring ring so that the pins are located in the recessed hols in the jaws.
- 3. Lock the chuck so that the boring ring is clamped.
- 4. Machine the jaws to the required size.
- 5. Unlock the chuck and remove the boring ring
- 6. If the process is followed the jaws will repeat the accuracy each time the chuck is closed onto the work piece.