

Product Brochure For L763

Lathe - Boring Ring for Chuck Soft Jaws

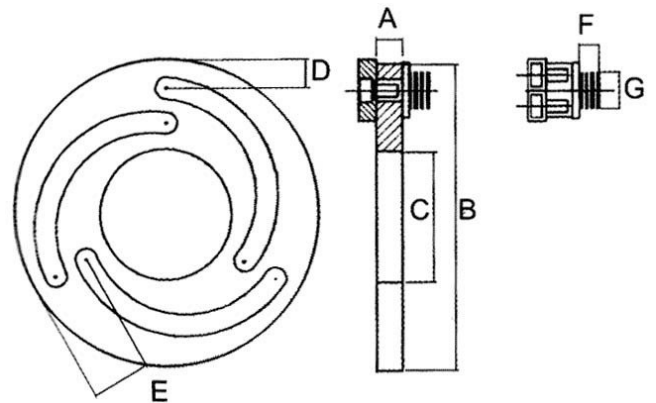
Ø6" (Ø150mm)

On Sale - Back In Stock Soon

Ex GST	Inc GST
\$306.00	\$351.90
\$243.48	\$280.00



ORDER CODE:	L763
Size (inch):	6"
A (mm):	12
B (mm):	168
C (mm):	80
D (mm):	12
E (mm):	32
F (mm):	9
G (mm):	16.5
Nett Weight (kg):	1.6



Description

To suit any lathe that uses soft jaws. The ring is used to hold the jaws in place so the the soft jaws can be machined to a certain size.

Material SCM440

Features

- Maintains a high level of accuracy
- The operation process is as follows
- 1. Set the jaws to the correct position that will allow the diameter required to be machined.
- 2. Adjust the boring ring so that the pins are located in the recessed holes in the jaws.
- 3. Lock the chuck so that the boring ring is clamped.
- 4. Machine the jaws to the required size.
- 5. Unlock the chuck and remove the boring ring
- 6. If the process is followed the jaws will repeat the accuracy each time the chuck is closed onto the work piece.