

Product Brochure For L800

Length Stop To Suit Roller Conveyor - RCS-290

3000mm

Suits RC-290 Conveyor



ORDER CODE:	L800
MODEL:	RCS-290
Length Stop Length (mm):	3000
Suits Conveyor Width (mm):	290



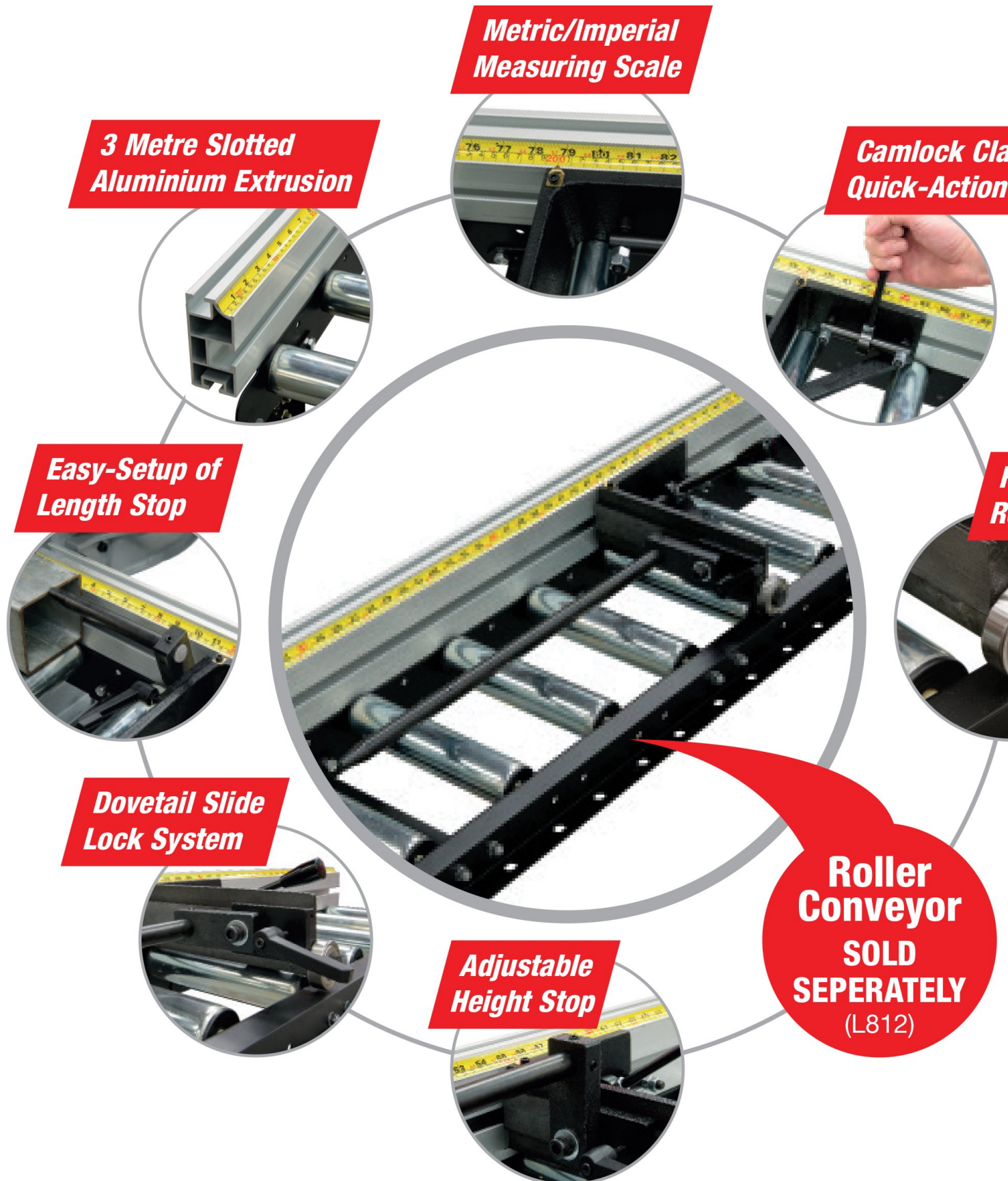
Description

PLEASE NOTE: Roller Conveyor & Stand Not Included

Features

- Suits: 290mm roller conveyor system (L812)
- 3000mm length of Aluminium extrusion with T-Slots for easy mounting
- Designed specifically to suit Hafco (L812) 290mm x 3 Metre roller conveyor
- Length stop has quick-action clamp coupled with a heavy duty roller bearing
- Includes metric/imperial measuring tape
- Easily fitted to conveyor by drilling 4 holes
- Includes mounting hardware

Product Brochure For L800



Product Brochure For L800

Specific Features



Shown Demonstrated with Coldsaw



Shown with Optional Roller Conveyor and Stands



Front Full View



Overview



Shown with Material



Aluminium Extrusion with T Slots



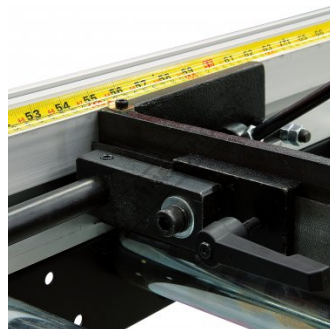
Length Indicator Arrow



Camlock Quick-Action Clamp



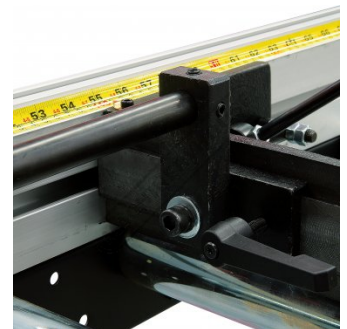
Heavy Duty Roller Bearing



Length Stop Swivel Adjustment 1



Length Stop Swivel Adjustment 2



Length Stop Swivel Adjustment 3



Dovetail Slide & Lock System 1



Dovetail Slide & Lock System 2



Front Low View Close Up



Front View Close Up

Product Brochure For L800



Rear Top View Close Up



Rear View Close Up



Rear Low View Close Up



Rear Full View



Rear View



Full View Shown Setup Up on Roller Conveyor 2



Full View Shown Setup Up on Roller Conveyor 3

Recommended Accessories

L812
Roller Conveyor



L816
Roller Conveyor Stand



L814
Roller Conveyor Stand



L812A
Steel Conveyor Roller

