

Product Brochure For L818

Roller Conveyor - RC-450

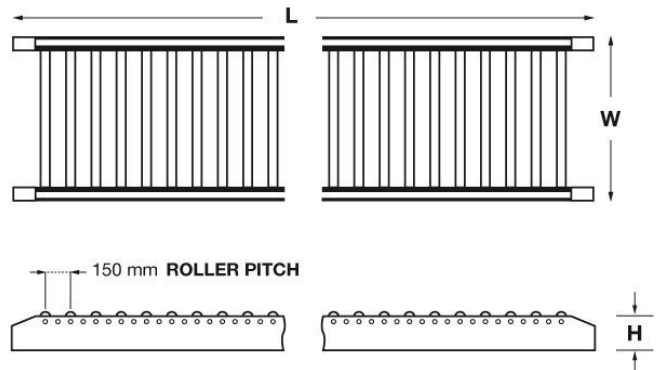
450 x 3000mm
Ø50mm Rollers



On Sale

Ex GST	Inc GST
\$440.00	\$506.00
\$346.96	\$399.00

ORDER CODE:	L818
MODEL:	RC-450
Roller Width (mm):	380
Roller Pitch (mm):	150
No. Rollers (No.):	20
Roller Diameter (mm):	Ø50
Frame Length (L) (mm):	3000
Frame Width (W) (mm):	450
Frame Height (H) (mm):	80
Height Adjustment (mm):	~
Load Capacity with 2 x Support Legs (kg):	400
Load Capacity with 3 x Support Legs (kg):	800



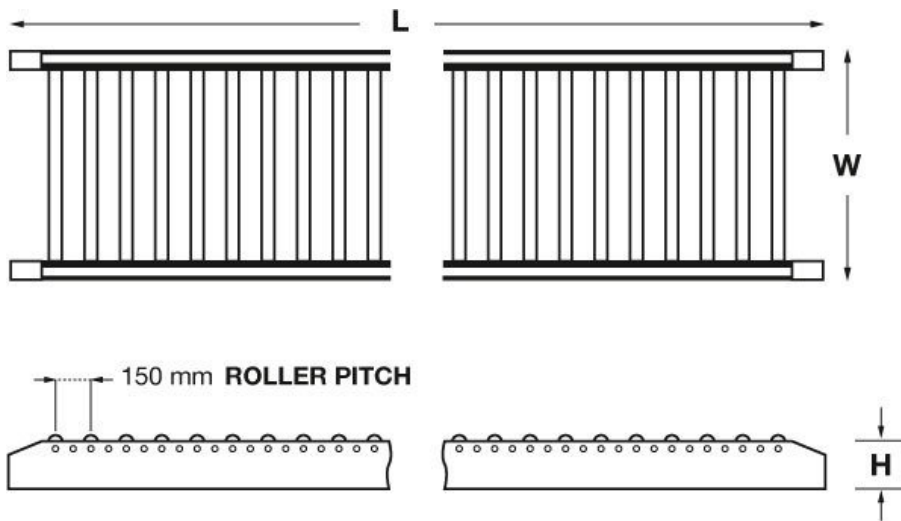
Features

- Roller capacity of 50kg each
- 20 x Zinc plated steel rollers at 150mm pitch
- Rollers are Ø50mm with commercial bearings
- Frames are powder coated
- Conveyor is pre-assembled with 7 cross-members
- Frames are pre-drilled at 75mm pitch to accept "Optional 19 rollers" totalling to 39 rollers
- Please Note:
- Roller load capacity is calculated on even weight distribution over entire roller
- Total load capacity is calculated on even weight distribution over entire roller conveyor system

Includes

- 20 steel rollers @ 150mm pitch

Product Brochure For L818



Recommended Accessories

L820
Roller Conveyor Stand

L822
Roller Conveyor Stand

L818A
Steel Conveyor Roller

W343A
Roller Stand



Product Brochure For L818

W343
Roller Stand



W3434
Roller Stand



W3436
Roller Stand - V-Type

