

Product Brochure For M165

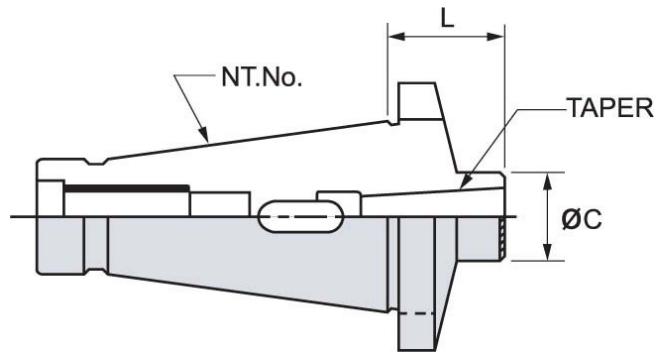
NT30-MT2-50 Milling Adaptor



On Sale

| Ex GST | Inc GST |
|--------------------|--------------------|
| \$86.00 | \$98.90 |
| \$68.70 | \$79.00 |

| | |
|-----------------------------|-------------|
| ORDER CODE: | M165 |
| MODEL: | NT30-MT2-50 |
| Outer Taper: | NT30 |
| Inside Taper: | MT2 |
| Drawbar Thread (mm / inch): | 12mm |
| L (mm): | 50 |
| C (mm): | 32 |
| Nett Weight (kg): | 0.80 |



Description

Precision ground and hardened.
Morse taper adaptors are used to adapt a Morse taper tool or cutter to any spindle taper