

Product Brochure For M169

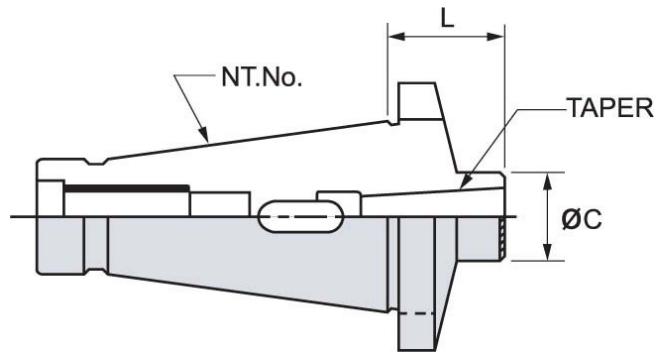
R8-MT2-30 Milling Adaptor



**On Sale**

| Ex GST             | Inc GST            |
|--------------------|--------------------|
| <del>\$56.00</del> | <del>\$64.40</del> |
| <b>\$43.48</b>     | <b>\$50.00</b>     |

|                             |           |
|-----------------------------|-----------|
| ORDER CODE:                 | M169      |
| MODEL:                      | R8-MT2-30 |
| Outer Taper:                | R8        |
| Inside Taper:               | MT2       |
| Drawbar Thread (mm / inch): | 7/16"     |
| L (mm):                     | 30        |
| C (mm):                     | 32        |
| Nett Weight (kg):           | 0.40      |



**Description**

Precision ground and hardened.  
Morse taper adaptors are used to adapt a Morse taper tool or cutter to any spindle taper