

Product Brochure For M170

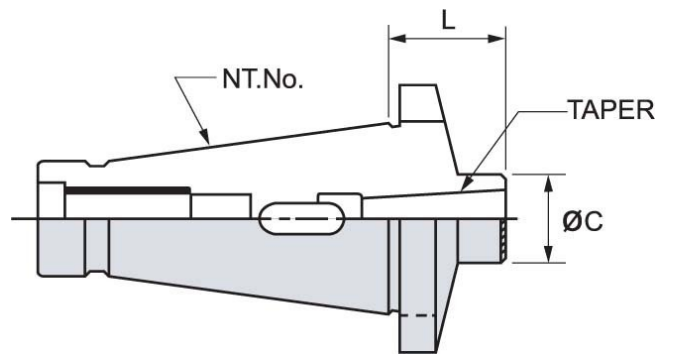
R8-MT3-50 Milling Adaptor

On Sale

Ex GST	Inc GST
\$56.00	\$64.40
\$43.48	\$50.00



ORDER CODE:	M170
MODEL:	R8-MT3-50
Outer Taper:	R8
Inside Taper:	MT3
Drawbar Thread (mm / inch):	7/16"
L (mm):	50
C (mm):	40
Nett Weight (kg):	0.30



Description

Precision ground and hardened.
Morse taper adaptors are used to adapt a Morse taper tool or cutter to any spindle taper