

Product Brochure For M173

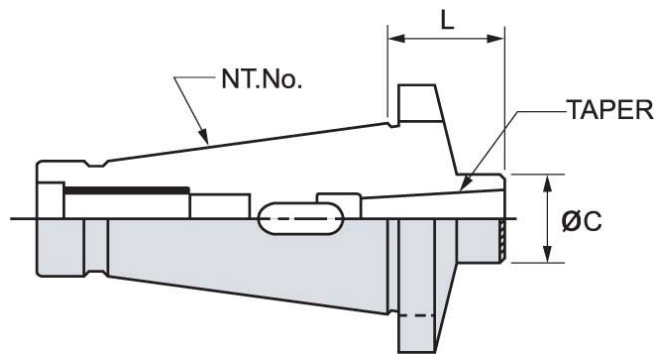
NT50-NT40 Milling Adaptor

On Sale - Back In Stock Soon

Ex GST	Inc GST
\$208.00	\$239.20
\$165.22	\$190.00



ORDER CODE:	M173
MODEL:	NT50-NT40
Outer Taper:	NT50
Inside Taper:	NT40
Drawbar Thread (mm / inch):	24mm
L (mm):	23
C (mm):	~
Nett Weight (kg):	2.00



Description

Precision reducing adaptor for NT50 to NT40

Features

- External and Internal taper precision ground