

Product Brochure For N003

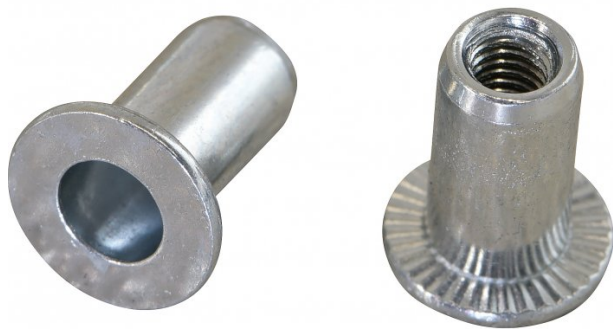
## Rivet Nut Inserts - M3 x 0.5mm

Steel - Zinc Plated  
Qty 50 In Pack

**On Sale**

Ex GST  
**\$12.00**  
**\$10.17**

Inc GST  
**\$13.80**  
**\$11.70**



ORDER CODE:	N003
MODEL:	~
Type:	Rivet Nut Inserts
Nut Insert Material (Type):	Steel - Zinc Coated
Quantity in Pack:	50
Rivet Nut Inserts Range (Metric):	~
Blind Rivets (mm):	~
Thread Size (T) (Metric):	M3 x 0.5
Thread Length (TL) (Metric):	~
Length (L) (mm):	8.85
Head Height (HH) (mm):	0.75
Head Diameter (HD) (mm):	8
Diameter (D) (mm):	4.9
Hole Size (HS) (mm):	5
Grip Range (GR) (mm):	0.25 - 2.00
Torque to Turn (Kgf.cm):	25



### Description

Suits ATR-10RN Air Operated or RNB40 Twin Handle Nut Riveters

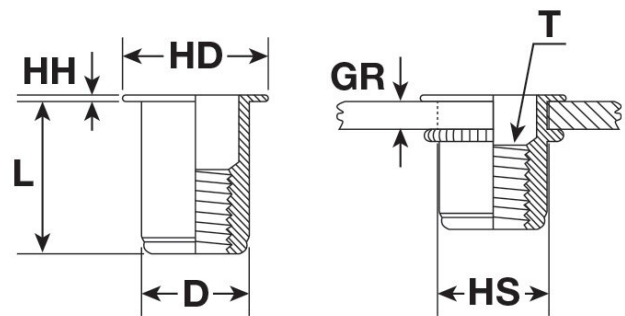
### Features

- Steel - Zinc Coated
- Fast & easy installation from one side
- Adds a threaded nut to thin sheet metal
- Knurled section under nut head for anti-rotation
- Easy to install
- \*\* NOTE: When used with RNB40 Nut Riveter, the M3 Nut Rivet Mandrel and Adaptor is required, sold separately (Order Code: N0021)

### Includes

- 50 x Rivet Nut Inserts - M3 x 0.5mm

## NUT INSERT



UNINSTALLED

INSTALLED

## Product Brochure For N003

### Specific Features



Packaging Front



Packaging Back

### Recommended Accessories

**N001**  
Nut & Blind Riveter Set - 130  
Piece



**N0021**  
NUT RIVET MANDREL &  
ADAPTOR



**N006**  
Rivet Nut Inserts - M6 x 1.0mm



**N008**  
Rivet Nut Inserts - M8 x 1.25mm



**N010**  
Rivet Nut Inserts - M10 x 1.5mm



**N015**  
Rivet Nut Inserts - M5 x 0.8mm



**N016**  
Rivet Nut Inserts - M6 x 1.0mm



**N018**  
Rivet Nut Inserts - M8 x 1.25mm



## Product Brochure For N003

---

N020

Rivet Nut Inserts - M10 x 1.5mm

