

Product Brochure For N018

Rivet Nut Inserts - M8 x 1.25mm

Aluminium
Qty 50 In Pack

On Sale

Ex GST
~~\$20.00~~
\$16.96

Inc GST
~~\$23.00~~
\$19.50



ORDER CODE:	N018
MODEL:	~
Type:	Rivet Nut Inserts
Nut Insert Material (Type):	Aluminium
Quantity in Pack:	50
Rivet Nut Inserts Range (Metric):	~
Blind Rivets (mm):	~
Thread Size (T) (Metric):	M8 x 1.25
Thread Length (TL) (Metric):	~
Length (L) (mm):	15
Head Height (HH) (mm):	1.4
Head Diameter (HD) (mm):	14.4
Diameter (D) (mm):	10.9
Hole Size (HS) (mm):	11
Grip Range (GR) (mm):	1.00 - 3.00
Torque to Turn (Kgf.cm):	170



Description

Suits ATR-10RN Air Operated or RNB40 Twin Handle Nut Riveters

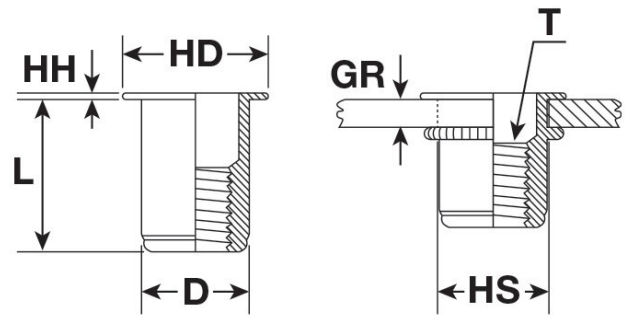
Features

- Aluminium inserts
- Fast & easy installation from one side
- Adds a threaded nut to thin sheet metal
- Knurled section under nut head for anti-rotation
- Easy to install

Includes

- 50 x Rivet Nut Inserts - M8 x 1.25mm

NUT INSERT



UNINSTALLED

INSTALLED

Product Brochure For N018

Specific Features



Packaging Front



Packaging Rear Side

Recommended Accessories

N001

Nut & Blind Riveter Set - 130 Piece

N005

Rivet Nut Inserts - M5 x 0.8mm

N008

Rivet Nut Inserts - M8 x 1.25mm

N010

Rivet Nut Inserts - M10 x 1.5mm



N015

Rivet Nut Inserts - M5 x 0.8mm

N016

Rivet Nut Inserts - M6 x 1.0mm

N020

Rivet Nut Inserts - M10 x 1.5mm

