

Product Brochure For P232

## Coolant Pump - CP-20L1

1/8hp, 240V Motor  
135mm Submersible Leg & 20 Litres/Min. At 1 Metre Lift



**On Sale**

Ex GST	Inc GST
<del>\$220.00</del>	<del>\$253.00</del>
<b>\$175.65</b>	<b>\$202.00</b>

ORDER CODE:	P232
MODEL:	CP-20L1
Type:	Coolant Pump
Tank Capacity (Litre):	~
Discharge at 1 metre Lift (L/min):	20
Length (L) (mm):	290
Submerge Depth (L1) (mm):	134
4 Mount Holes (PCD) (mm):	128
Threaded Outlet (BSPT):	Ø3/8"
A (mm):	96
B (mm):	95
C (mm):	290
D (mm):	134
E (mm):	121
F (mm):	90
G (mm):	156
H:	3/8" PT
I (mm):	128
J (mm):	8
K (mm):	6
Motor Power (hp):	1/8
Voltage / Amperage (V / amp):	240 / 10
Dimensions (L x W x H) (mm):	300 x 150 x 210
Nett Weight (kg):	6.1



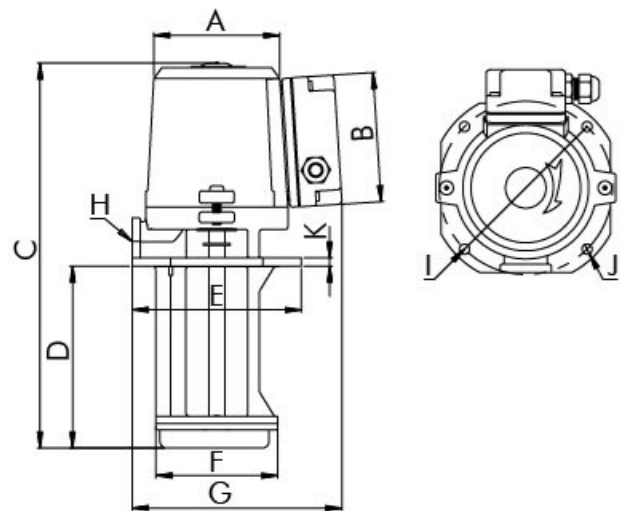
### Description

Manufactured in Taiwan

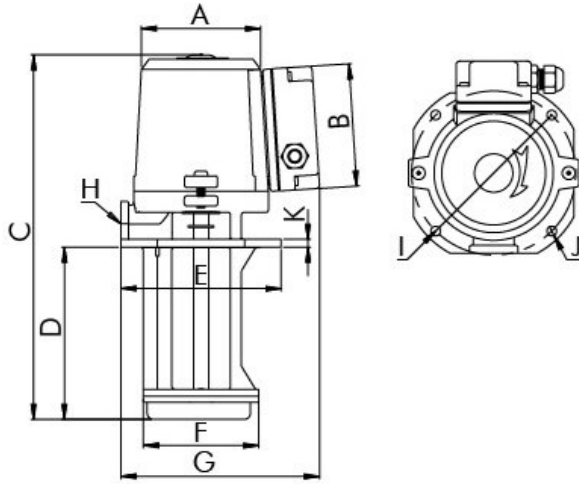
135mm Leg COOLANT PUMP BARE - 240V  
Bare pump for almost any application

### Features

- 20 litres/min. at 1 metre lift
- 135mm submersible leg
- Non-corrosive plastic impellers
- Please Note: Motor housing should never be submersed or have any fluid splashed on it



Product Brochure For P232



**Specific Features**



Rear View



Front View



Name Plate



Left Side View



Right Side View



Top View



Bottom View



Top Rear View

Product Brochure For P232



Bottom Low View

**Recommended Accessories**

S090A

Soluble Metal Cutting Fluid - 1 Litre



S090

Soluble Metal Cutting Fluid - 5 Litre



S076

Cutting Tool Lubricant Fluid - 500ml



S077

Drilling, Tapping & Cutting Tool Lubricant Spray - 400g



S074

Cutting Tool Lubricant Paste - 500g



S091

Soluble Metal Cutting Fluid - 20 Litre



H164

Flexible Coolant Hose



H166

Flexible Coolant Hose



Product Brochure For P232

---

H170  
Flexible Coolant Hose



P235  
Coolant Pump & Tank



O200  
Oil Skimmer - Tube Type

