

Product Brochure For P233

Coolant Pump - CP-20L3

1/8hp, 415V Motor

135mm Submersible Leg & 20 Litres/Min. At 1 Metre Lift



On Sale

Ex GST
~~\$220.00~~
\$175.65

Inc GST
~~\$253.00~~
\$202.00

ORDER CODE:	P233
MODEL:	CP-20L3
Type:	Coolant Pump
Tank Capacity (Litre):	~
Discharge at 1 metre Lift (L/min):	20
Length (L) (mm):	290
Submerge Depth (L1) (mm):	134
4 Mount Holes (PCD) (mm):	128
Threaded Outlet (BSPT):	Ø3/8"
A (mm):	96
B (mm):	95
C (mm):	290
D (mm):	134
E (mm):	121
F (mm):	90
G (mm):	156
H:	3/8" PT
I (mm):	128
J (mm):	8
K (mm):	6
Motor Power (hp):	1/8
Voltage / Amperage (V / amp):	415
Dimensions (L x W x H) (mm):	300 x 150 x 210
Nett Weight (kg):	6.1

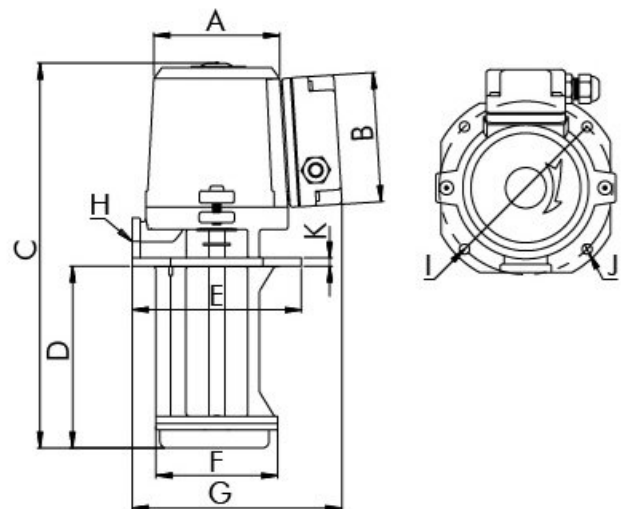
Description

Manufactured in Taiwan

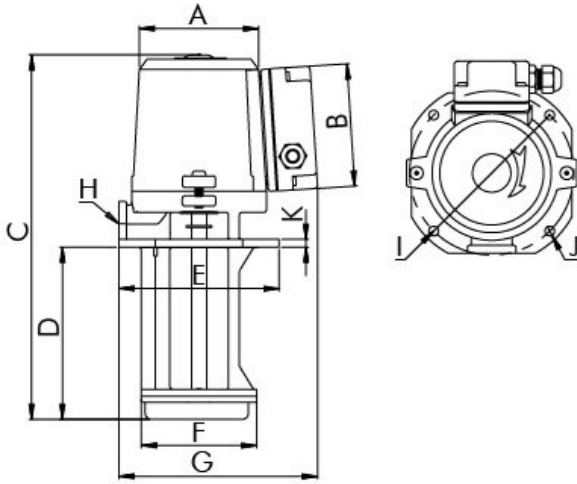
135mm Leg COOLANT PUMP BARE - 415V
Bare pump for almost any application

Features

- 20 litres/min. at 1 metre lift
- 135mm submersible leg
- Non-corrosive plastic impellers
- Please Note: Motor housing should never be submersed or have any fluid splashed on it



Product Brochure For P233



Specific Features



Rear View



Front View



Name Plate



Left Side View



Right Side View



Top View



Bottom View



Top Rear View

Product Brochure For P233



Bottom Low View

Recommended Accessories

S090A

Soluble Metal Cutting Fluid - 1 Litre



S090

Soluble Metal Cutting Fluid - 5 Litre



S076

Cutting Tool Lubricant Fluid - 500ml



S077

Drilling, Tapping & Cutting Tool Lubricant Spray - 400g



S074

Cutting Tool Lubricant Paste - 500g



S091

Soluble Metal Cutting Fluid - 20 Litre



H164

Flexible Coolant Hose



H166

Flexible Coolant Hose



Product Brochure For P233

H170
Flexible Coolant Hose



P235
Coolant Pump & Tank



O200
Oil Skimmer - Tube Type

