

Product Brochure For P6067

## 12 x 25mm Slotted Punch

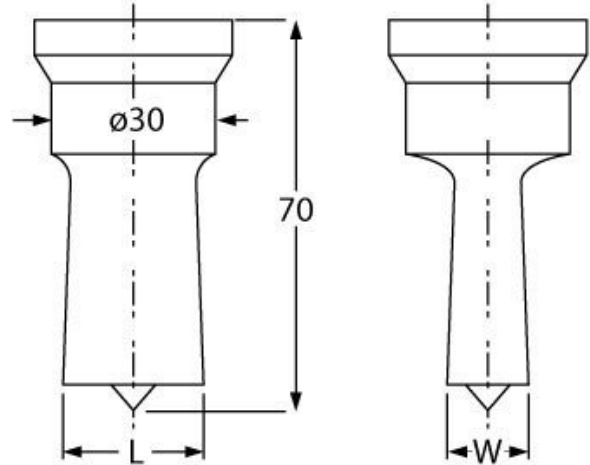
Hi -Grade Tool Steel Imported From Japan  
Ø30mm Locating Diameter



**On Sale**

|                 |                 |
|-----------------|-----------------|
| <b>Ex GST</b>   | <b>Inc GST</b>  |
| <b>\$148.00</b> | <b>\$170.20</b> |
| <b>\$116.52</b> | <b>\$134.00</b> |

|  |                     |
|--|---------------------|
| ORDER CODE:                              | P6067               |
| Shape - Type:                            | Slotted Punch - 0P1 |
| Square or Slot Hole Size (W x L) (mm):   | 12 x 25             |
| Punch Locating Diameter x Length (mm):   | Ø30 x 70mm          |
| Die Outside Body Diameter x Height (mm): | ~                   |



### Description

Punch and Dies are Manufactured by Sunrise in Taiwan using Hi -Grade Tool Steel imported from Japan. The manufacturing process involves machining via hi tech CNC machines lathes & mills, vacuum heat treatment with multiple tempering at high temperatures before a final quality inspection/testing process all of which ensures an accurate, precise, durable & stable product.

### Features

- PLEASE NOTE FOLLOWING RECOMMENDATIONS WHEN SELECTING DIE CLEARANCE:
- Material Thickness - 2 ~ 4mm = Die Clearance 0.2mm
- Material Thickness - 4 ~ 9.5mm = Die Clearance 0.7mm
- Material Thickness - 10 ~ 14.5mm = Die Clearance 1.2mm
- Material Thickness - 15 ~ 19.5mm = Die Clearance 1.7mm
- Material Thickness - 20 ~ 24mm = Die Clearance 2.2mm

### Optional Accessories

- Please Note: Slotted punch requires a sleeve to fit on current Sunrise machines
- Models IW-45MQ, IW-45K, IW-60H requires (PP630A)
- Models IW-60S/SD, IW-80S/SD, IW-100S/SD, IW-125S/SD, IW-165S/SD requires (PP630)

Product Brochure For P6067

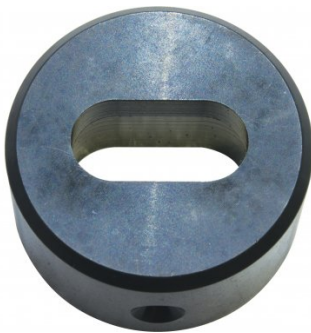
**Specific Features**



Top View

**Recommended Accessories**

P6068  
12.7 x 25.7mm Slotted Die



PP630A  
QUICK CHANGE ADAPTOR  
30MM



PP705  
DIE REDUCING BUSH



PP0016  
DIE RING SPACER

