

Product Brochure For P6161

## 18 x 30mm Slotted Punch

Hi -Grade Tool Steel Imported From Japan  
Ø30mm Locating Diameter



### Description

Punch and Dies are Manufactured by Sunrise in Taiwan using Hi -Grade Tool Steel imported from Japan. The manufacturing process involves machining via hi tech CNC machines lathes & mills, vacuum heat treatment with multiple tempering at high temperatures before a final quality inspection/testing process all of which ensures an accurate, precise, durable & stable product.

### Features

- PLEASE NOTE FOLLOWING RECOMMENDATIONS WHEN SELECTING DIE CLEARANCE:
- Material Thickness - 2 ~ 4mm = Die Clearance 0.2mm
- Material Thickness - 4 ~ 9.5mm = Die Clearance 0.7mm
- Material Thickness - 10 ~ 14.5mm = Die Clearance 1.2mm
- Material Thickness - 15 ~ 19.5mm = Die Clearance 1.7mm
- Material Thickness - 20 ~ 24mm = Die Clearance 2.2mm

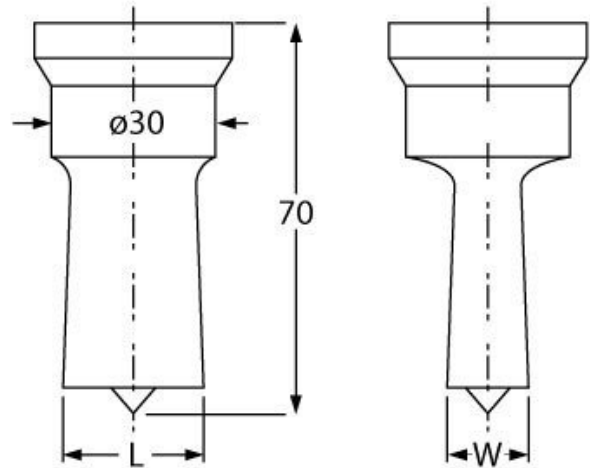
### Optional Accessories

- Please Note: Slotted punch requires a sleeve to fit on current Sunrise machines
- Models IW-45MQ, IW-45K, IW-60H requires (PP630A)
- Models IW-60S/SD, IW-80S/SD, IW-100S/SD, IW-125S/SD, IW-165S/SD requires (PP630)

**On Sale**

<b>Ex GST</b>	<b>Inc GST</b>
<b>\$148.00</b>	<b>\$170.20</b>
<b>\$116.52</b>	<b>\$134.00</b>

ORDER CODE:	P6161
Shape - Type:	Slotted Punch - 0P1
Square or Slot Hole Size (W x L) (mm):	18 x 30
Punch Locating Diameter x Length (mm):	Ø30 x 70mm
Die Outside Body Diameter x Height (mm):	~



Product Brochure For P6161

**Specific Features**



Top View

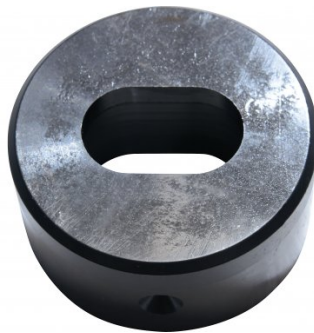
**Recommended Accessories**

P6162  
18.7 x 30.7mm Slotted Die

P6163  
19.2 x 31.2mm Slotted Die

PP630A  
QUICK CHANGE ADAPTOR  
30MM

PP705  
DIE REDUCING BUSH



PP0016  
DIE RING SPACER

