

Product Brochure For P6167

## 18 x 40mm Slotted Punch

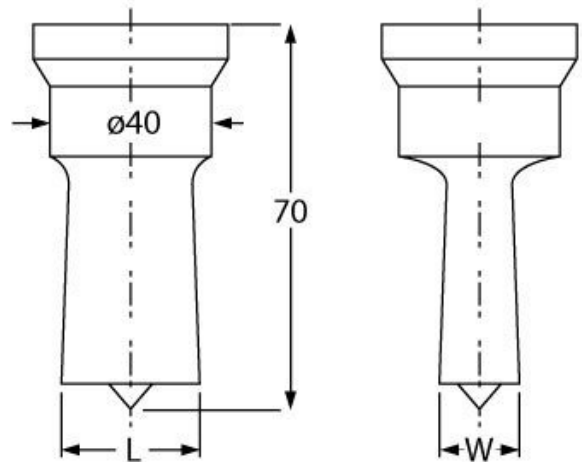
Hi -Grade Tool Steel Imported From Japan  
Ø40mm Locating Diameter



**On Sale**

<b>Ex GST</b>	<b>Inc GST</b>
<b>\$184.00</b>	<b>\$211.60</b>
<b>\$146.96</b>	<b>\$169.00</b>

ORDER CODE:	P6167
Shape - Type:	Slotted Punch - 0P2
Square or Slot Hole Size (W x L) (mm):	18 x 40
Punch Locating Diameter x Length (mm):	Ø40 x 70mm
Die Outside Body Diameter x Height (mm):	~



### Description

Punch and Dies are Manufactured by Sunrise in Taiwan using Hi -Grade Tool Steel imported from Japan. The manufacturing process involves machining via hi tech CNC machines lathes & mills, vacuum heat treatment with multiple tempering at high temperatures before a final quality inspection/testing process all of which ensures an accurate, precise, durable & stable product.

### Features

- PLEASE NOTE FOLLOWING RECOMMENDATIONS WHEN SELECTING DIE CLEARANCE:
- Material Thickness - 2 ~ 4mm = Die Clearance 0.2mm
- Material Thickness - 4 ~ 9.5mm = Die Clearance 0.7mm
- Material Thickness - 10 ~ 14.5mm = Die Clearance 1.2mm
- Material Thickness - 15 ~ 19.5mm = Die Clearance 1.7mm
- Material Thickness - 20 ~ 24mm = Die Clearance 2.2mm

Product Brochure For P6167

---

**Specific Features**



Top View

**Recommended Accessories**

P6168  
18.7 x 40.7mm Slotted Die

P6169  
19.2 x 41.2mm Slotted Die

