

Product Brochure For P6211

22 x 40mm Slotted Punch

Hi-Grade Tool Steel Imported From Japan
Ø40mm Locating Diameter



Description

Punch and Dies are Manufactured by Sunrise in Taiwan using Hi-Grade Tool Steel imported from Japan. The manufacturing process involves machining via hi tech CNC machines lathes & mills, vacuum heat treatment with multiple tempering at high temperatures before a final quality inspection/testing process all of which ensures an accurate, precise, durable & stable product.

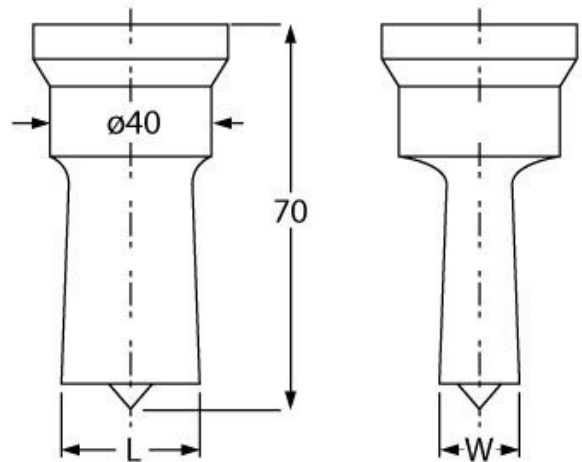
Features

- PLEASE NOTE FOLLOWING RECOMMENDATIONS WHEN SELECTING DIE CLEARANCE:
- Material Thickness - 2 ~ 4mm = Die Clearance 0.2mm
- Material Thickness - 4 ~ 9.5mm = Die Clearance 0.7mm
- Material Thickness - 10 ~ 14.5mm = Die Clearance 1.2mm
- Material Thickness - 15 ~ 19.5mm = Die Clearance 1.7mm
- Material Thickness - 20 ~ 24mm = Die Clearance 2.2mm

On Sale

Ex GST	Inc GST
\$184.00	\$211.60
\$146.96	\$169.00

ORDER CODE:	P6211
Shape - Type:	Slotted Punch - 0P2
Square or Slot Hole Size (W x L) (mm):	22 x 40
Punch Locating Diameter x Length (mm):	Ø40 x 70mm
Die Outside Body Diameter x Height (mm):	~



Product Brochure For P6211

Specific Features



Top View

Recommended Accessories

P6212
22.7 x 40.7mm Slotted Die

P6213
23.2 x 41.2mm Slotted Die

