

Product Brochure For P727

## Ø27mm Round Punch - RPN1

Hi -Grade Tool Steel Imported From Japan

**On Sale**

Ex GST

**\$62.00**

**\$47.83**

Inc GST

**\$71.30**

**\$55.00**



|                          |       |
|--------------------------|-------|
| ORDER CODE:              | P727  |
| MODEL:                   | RPN1  |
| Type:                    | Punch |
| Punch Diameter (D) (mm): | Ø27   |
| Die Diameter (D) (mm):   | ~     |
| Pack Quantity (No.):     | 1     |



### Description

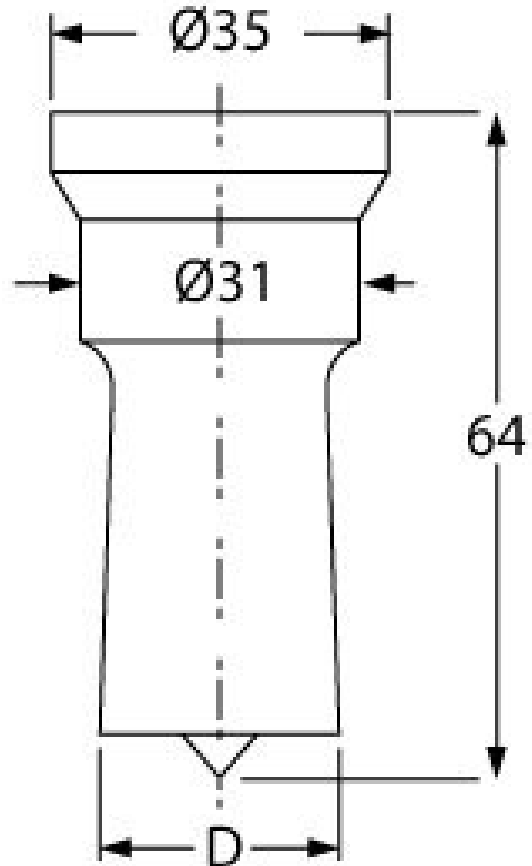
Punch and Dies are Manufactured by Sunrise in Taiwan using Hi -Grade Tool Steel imported from Japan. The manufacturing process involves machining via hi tech CNC machines lathes & mills, vacuum heat treatment with multiple tempering at high temperatures before a final quality inspection/testing process all of which ensures an accurate, precise, durable & stable product.

### Features

- PLEASE NOTE FOLLOWING RECOMMENDATIONS WHEN SELECTING DIE CLEARANCE:
- Material Thickness - 2 ~ 4mm = Die Clearance 0.2mm
- Material Thickness - 4 ~ 9.5mm = Die Clearance 0.7mm
- Material Thickness - 10 ~ 14.5mm = Die Clearance 1.2mm
- Material Thickness - 15 ~ 19.5mm = Die Clearance 1.7mm
- Material Thickness - 20 ~ 24mm = Die Clearance 2.2mm

### Optional Accessories

- Other sizes and shapes available on request



Product Brochure For P727

---

**Recommended Accessories**

P727B  
Ø27.2mm Round Die - RDN1



P727A  
Ø27.7mm Round Die - RDN1



P728B  
Ø28.2mm Round Die - RDN1



P728A  
Ø28.7mm Round Die - RDN1



P729B  
Ø29.2mm Round Die - RDN1



P729A  
Ø29.7mm Round Die - RDN1

