

Product Brochure For P739

## Ø39mm Round Punch - RPN2

Hi -Grade Tool Steel Imported From Japan



### Description

Punch and Dies are Manufactured by Sunrise in Taiwan using Hi -Grade Tool Steel imported from Japan. The manufacturing process involves machining via hi tech CNC machines lathes & mills, vacuum heat treatment with multiple tempering at high temperatures before a final quality inspection/testing process all of which ensures an accurate, precise, durable & stable product.

### Features

- PLEASE NOTE FOLLOWING RECOMMENDATIONS WHEN SELECTING DIE CLEARANCE:
- Material Thickness - 2 ~ 4mm = Die Clearance 0.2mm
- Material Thickness - 4 ~ 9.5mm = Die Clearance 0.7mm
- Material Thickness - 10 ~ 14.5mm = Die Clearance 1.2mm
- Material Thickness - 15 ~ 19.5mm = Die Clearance 1.7mm
- Material Thickness - 20 ~ 24mm = Die Clearance 2.2mm

### Optional Accessories

- Other sizes and shapes available on request

**On Sale**

Ex GST

~~\$86.00~~

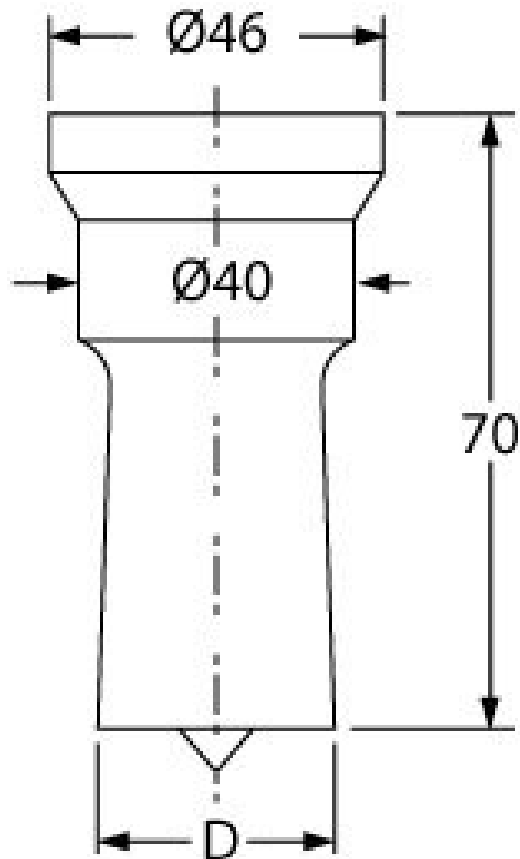
**\$68.70**

Inc GST

~~\$98.90~~

**\$79.00**

|                          |       |
|--------------------------|-------|
| ORDER CODE:              | P739  |
| MODEL:                   | RPN2  |
| Type:                    | Punch |
| Punch Diameter (D) (mm): | Ø39   |
| Die Diameter (D) (mm):   | ~     |
| Pack Quantity (No.):     | 1     |



Product Brochure For P739

---

**Recommended Accessories**

P739B  
Ø39.2mm Round Die - RDN2

P739A  
Ø39.7mm Round Die - RDN2

P740B  
Ø40.2mm Round Die - RDN2

P740A  
Ø40.7mm Round Die - RDN2



P741B  
Ø41.2mm Round Die - RDN3

P741A  
Ø41.7mm Round Die - RDN3

