

Product Brochure For Q124

# Digital Outside Micrometer - 10-124

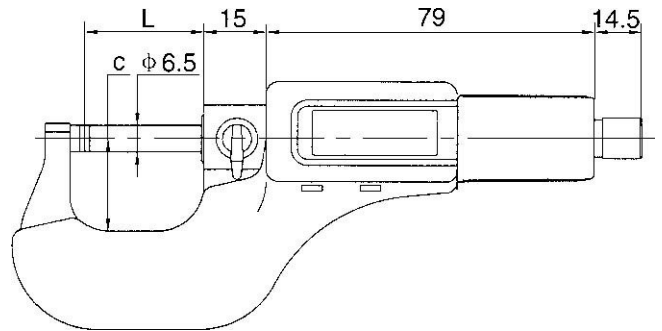
0-25mm / 0-1"



**On Sale**

Ex GST	Inc GST
<b>\$148.00</b>	<b>\$170.20</b>
<b>\$116.52</b>	<b>\$134.00</b>

ORDER CODE:	Q124
Range (mm / inch):	0 - 25mm / 0 - 1"
Accuracy (mm):	±0.002
C (mm):	23
L (mm):	32
Protection Rating:	~
Direct RS-232 output (Yes / No):	No



## Description

Quick, accurate and easy to use, at an economical price.

## Features

- Large LCD for easy reading
- Metric-imperial conversion and zero setting keys
- Friction thimble for easy one hand use
- Painted frame. Carbide measuring faces
- Resolution: 0.001mm/0.0005"

## Includes

- Includes CR2032 battery
- Ball point adaptor for use with round pipe or tubes (wall thickness)

## Product Brochure For Q124

---

### Specific Features



Shown with Ball Point Adaptor

### Recommended Accessories

Q675

Micrometer Stand

