

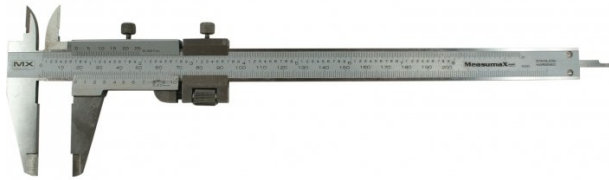
Product Brochure For Q1946

Vernier Calipers - 32-1946

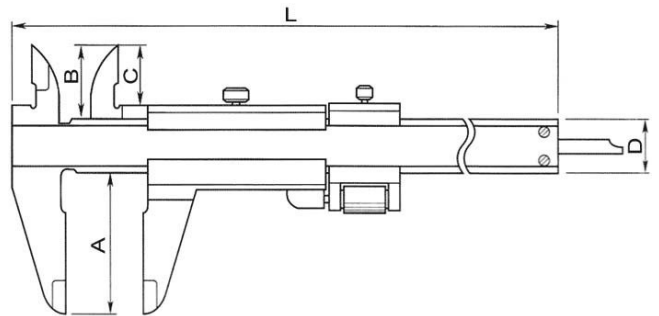
180mm / 7"
Fine Adjuster

On Sale

Ex GST	Inc GST
\$104.00	\$119.60
\$81.74	\$94.00



ORDER CODE:	Q1946
Range:	180mm / 7"
Graduations:	0.02mm / 0.001"
Accuracy (mm):	±0.03
A (mm):	50
B (mm):	25
C (mm):	20
D (mm):	16
L (mm):	285
4 Way (Yes / No):	Yes



Features

- Mono-block vernier
- With fine adjustment
- Made of stainless steel
- 4-Way measuring
- Accuracy ±0.03mm
- Supplied with vinyl protective sleeve

Product Brochure For Q1946

Specific Features



Close Up



Metric and Imperial Graduations



Pouch