

Product Brochure For Q1947

Vernier Calipers - 32-1947

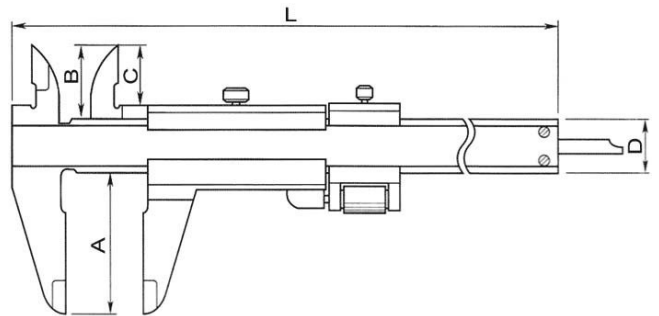
280mm / 11"
Fine Adjuster

On Sale

Ex GST	Inc GST
\$184.00	\$211.60
\$146.96	\$169.00



ORDER CODE:	Q1947
Range:	280mm / 11"
Graduations:	0.02mm / 0.001"
Accuracy (mm):	±0.04
A (mm):	62
B (mm):	27
C (mm):	22
D (mm):	20
L (mm):	400
4 Way (Yes / No):	Yes



Features

- Mono-block vernier
- With fine adjustment
- Made of stainless steel
- 4-Way measuring
- Accuracy ±0.04mm
- Supplied with vinyl protective sleeve

Product Brochure For Q1947

Specific Features



Metric and Imperial Graduations

Pouch