

Product Brochure For Q199

Vernier Calipers - 33-199

1000mm/40"

Large Mono Block

On Sale

Ex GST

Inc GST

\$1,160.00

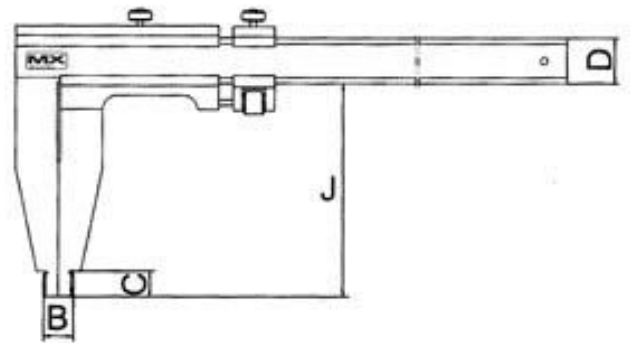
\$1,334.00

\$929.57

\$1,069.00



ORDER CODE:	Q199
Range (mm / inch):	1000mm / 40"
Graduations (mm / inch):	0.02mm / 0.001"
Accuracy (mm):	±0.07
J (mm):	200
B (mm):	20
C (mm):	20
D (mm):	32



Features

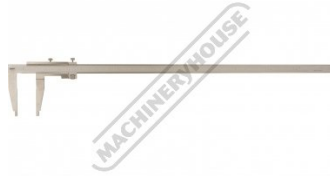
- Precision vernier calipers with stainless steel body and slides
- Clear graduations - Metric/Imperial graduations
- Mono-block design
- Supplied in wooden case
- Instrument are manufactured to ISO 10012:2003
- An ISO9001:2000 Company

Product Brochure For Q199

Specific Features



Metric and Imperial Graduations



Full View