

Product Brochure For Q217

Dial Test Indicator - Metric - 34-217

Jewel Movement - Measuring In Both Directions
0 - 0.8mm Travel



Features

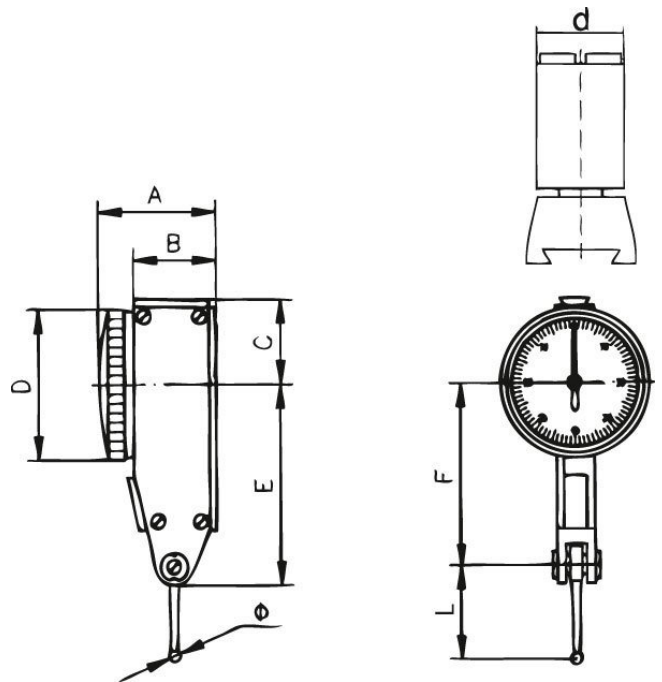
- The dial test indicator is ideally suited for all kinds of comparative measurements in the workshop and inspection room
- It also can be used together with machine tools, apparatus and other measuring devices - Steel ball end
- Jewel movement - measuring in both directions

On Sale

Ex GST
\$130.00
\$102.61

Inc GST
\$149.50
\$118.00

ORDER CODE:	Q217
Range:	0 - 0.8mm
Graduations:	0.01mm
A (mm):	26.35
B (mm):	18.35
B1 (mm):	~
C (mm):	16.5
D (mm):	Ø37
d (mm):	6 / 8
E (mm):	44
F (mm):	39.75
G (mm):	~
H (mm):	~
I (mm):	~
J:	~
K (mm):	~
L (mm):	16.5
L1 (mm):	~
Ø (mm):	2



Product Brochure For Q217

Specific Features



Rear Mounting



Front Mounting

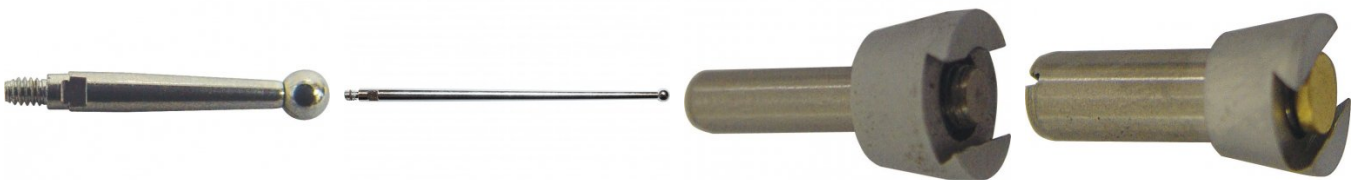
Recommended Accessories

Q2176
Stylus for Dial Test Indicators

Q2177
Stylus for Dial Test Indicators

Q2182
Stem for Dial Test Indicators

Q2183
Stem for Dial Test Indicators



Q2184
Stem for Dial Test Indicators

M050
Magnetic Base - Standard

M051
Magnetic Base - Deluxe - One Lock

Q430
Magnetic Base - Small



Product Brochure For Q217

Q435
Magnetic Base - Large



Q4351
Magnetic Base - Large



Q436
Magnetic Base - One Lock
(Large)

