

Product Brochure For Q515

Centering Dial Indicator - 34-515

0 - 3mm

On Sale

Ex GST

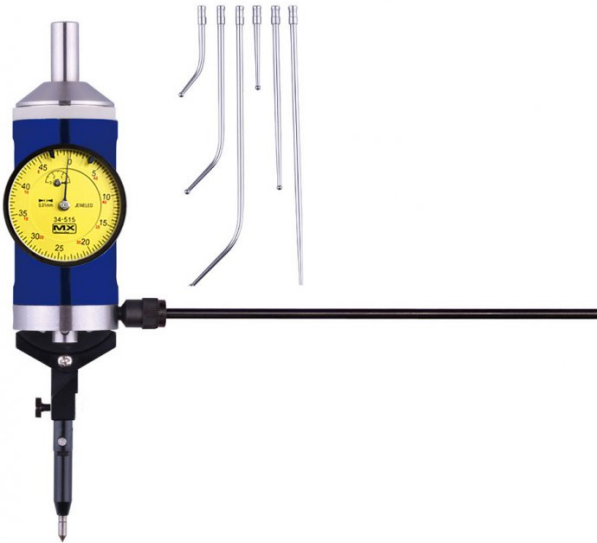
Inc GST

\$244.00

\$280.60

\$194.78

\$224.00



ORDER CODE:	Q515
Range (mm):	0 - 3mm
Graduations (mm):	0.01mm
Straight Stylus (mm):	45, 100, 154
Curved Stylus (mm):	45, 100, 154
Swivel Point Stylus (mm):	52.5
Stylus Diameter (mm):	3
Mount (mm):	10

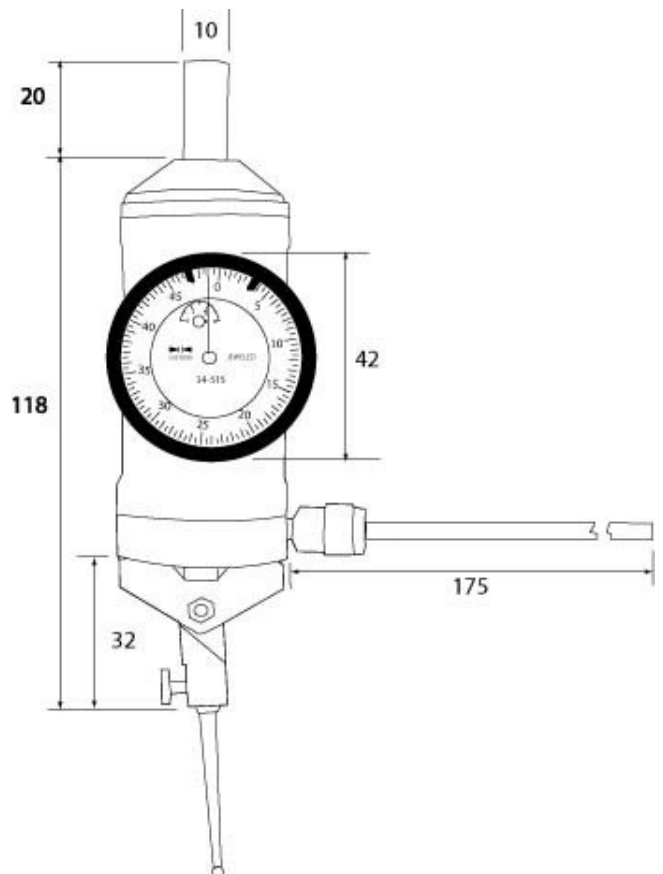


Description

Used to locate a work piece center quickly and accurately whilst the indicator faces the operator at all times by way of a restraining arm.

Features

- Quick and accurate centering internal & external
- Operates at any angle from horizontal to vertical
- The dial indicator remains stationary while rotating the spindle manually.
- The set includes 7 stylus probes and a restraining arm.
- Packed in wooden box



Product Brochure For Q515

Specific Features



Jeweled Metric Dial



Stylus Shown Attached



Stylus



Centre Dial



Wooden Box