

Product Brochure For Q8530

620mm Digital Readout Scale - MX-300-620/5U

MX-300 Standard Scale
5µm Resolution

On Sale

Ex GST

\$184.00
\$146.96

Inc GST

\$211.60
\$169.00



| | |
|-----------------------------------|--------------------|
| ORDER CODE: | Q8530 |
| MODEL: | MX-300 |
| Type: | Linear Scale |
| Travel - Maximum (mm): | 620 |
| Overall Length (L) (mm): | 726 |
| Scale Resolution (µm): | 5µm (0.005mm) |
| Grating Pitch: | 20µm (0.02mm) |
| Accuracy (µm): | ±0.005mm?±0.01mm/M |
| Output Signal: | 5V TTL |
| Connector: | 9 pin D-Sub |
| Cable Length (Metre): | 3m metal conduit |
| Working Temperature (°C): | -10?—60? |
| Sealing Protection Class: | Class: IP54 |
| Maximum Speed (M/min): | 60M/Min |
| Reference Point: | Every 50mm |
| Width x Height (W x H) (mm): | ~ |
| Backing Support Plate (Yes / No): | Yes |



Description

The Measumax MX-300 & MX-600 series linear scales are available in measuring lengths from 370 to 3000mm. With a 5µm resolution and a response speed of 60m/min these scales deliver 100% accuracy.

Features

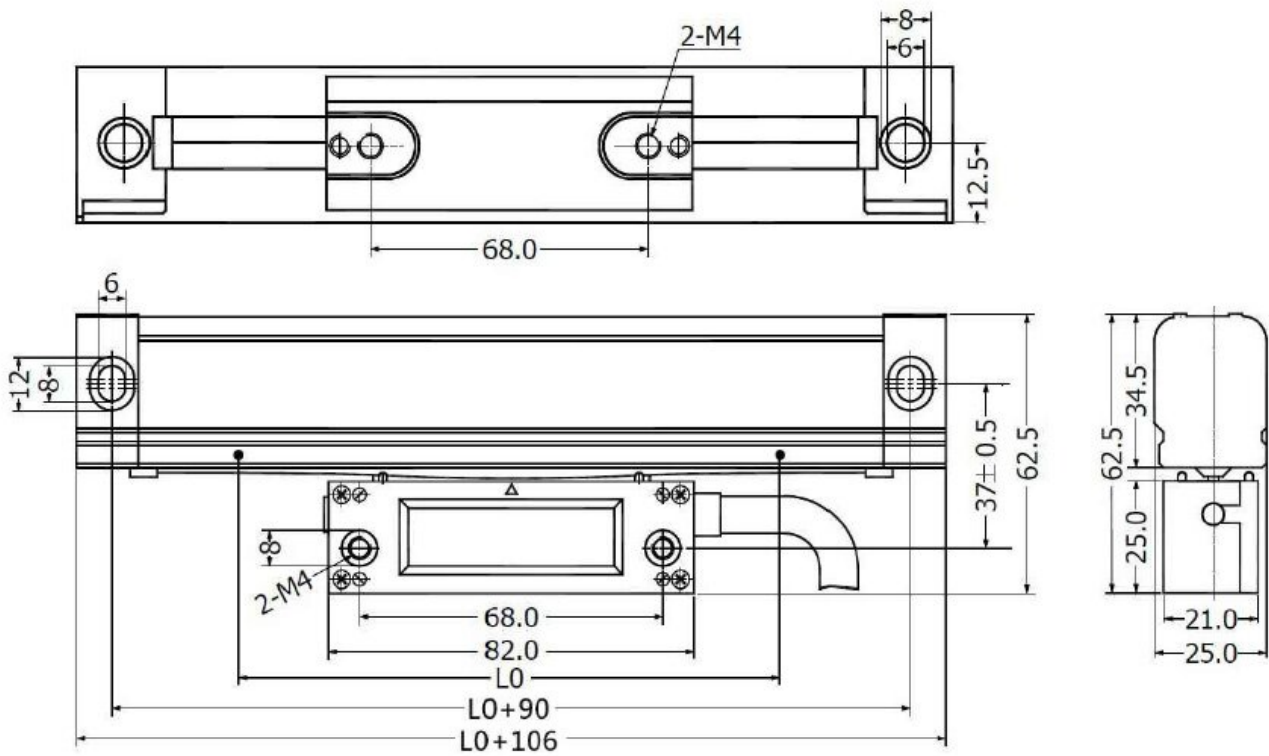
- NSK Japanese, five bearing sliding structure for a smooth and accurate movement along the length of the scale
- Glass scale with 5µm resolution
- Scale body made from extruded Aluminium with wiper seals providing IP54 protection
- MX-300 series 15 x 34.5mm (W x H) section
- 3m connection cable with 9 pin D-Sub connector

Includes

- 620mm Linear scale
- Scale cover
- 1 x Angle 'B2' Bracket Slotted and Tapped (40x50x8mm x 80mm wide)
- 1 x Flat 'D2' Bracket Slotted and Tapped (70x80x10mm)
- Screws and washers

Product Brochure For Q8530

MeasumaX MX MX-300 Series - LINEAR SCALES



L0 = Effective measuring length of scale

Product Brochure For Q8530

Specific Features



Scale Covers

Mounting Bracket

Recommended Accessories

Q8500
3-Axis Digital Readout

D709
Easson Scales - Extension
Cable

D710
Easson Scales - Extension
Cable

