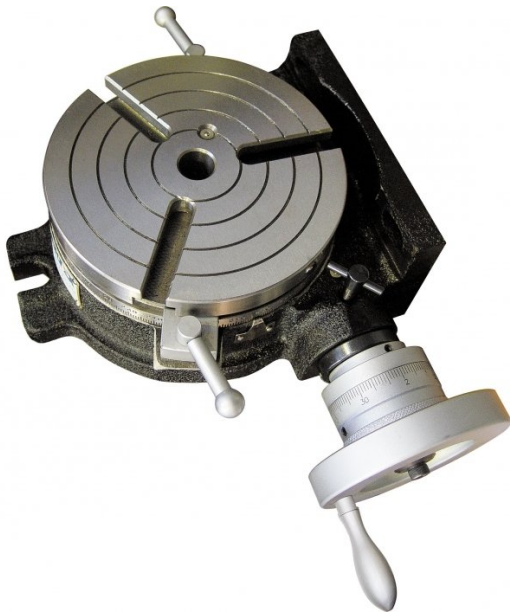


Product Brochure For R006

## Vertex Rotary Table - HV-6

Ø152mm



### Description

Manufactured in Taiwan

The Vertex Rotary Table has been designed to be used where a precision work positioning device is required. It allows the operator to mill or drill components at exact intervals around a fixed axis. Additional indexing plates can be fitted to allow the Vertex Rotary Table to be used as a Dividing Head. The Vertex Rotary Table can be used in both the horizontal or vertical plane.

### Features

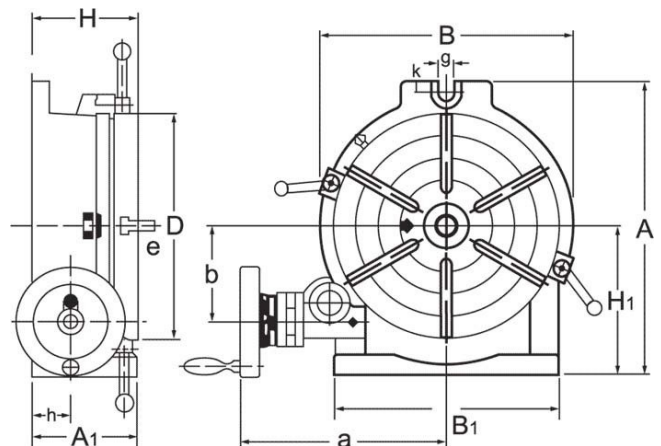
- The Vertex Rotary Table is manufactured from high-density Meehanite cast iron with ground surface areas on the table and body to ensure smooth rotation
- Critical wear parts are hand finished for ultra precision
- All tables are tested for accuracy using 'Heidenhain' electronic equipment to ensure continuing quality
- Worm is hardened and precision ground, with a ratio of 90:1
- Table is graduated to a full 360° so one turn of the handle moves the table 4°
- The collar on the handle is graduated with a vernier scale, readings down to 10 seconds are possible

**On Sale**

Ex GST  
**\$538.00**  
**\$428.70**

Inc GST  
**\$618.70**  
**\$493.00**

ORDER CODE:	R006
MODEL:	HV-6
Size (mm):	152
A1 (mm):	78
D (mm):	150
H (mm):	80
H1 (mm):	100
A (mm):	200
B (mm):	160
e (mm):	11
g (mm):	15
Number of T-Slots (No.):	3
T-Slot Size (mm):	11
Taper In Centre (MT):	2MT
Nett Weight (kg):	14



Product Brochure For R006

---

**Specific Features**



Vertical View

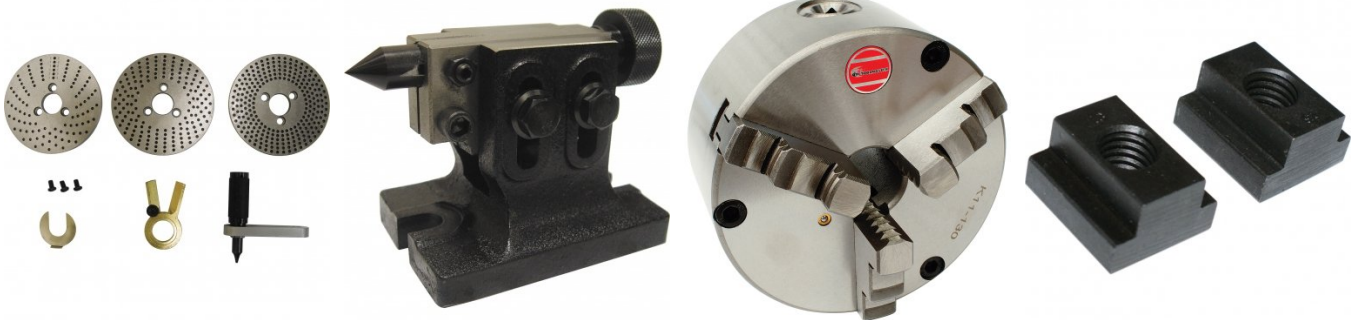
**Recommended Accessories**

R016  
Vertex Dividing Plate

R013  
Vertex Tailstock

C280  
3 Jaw Self Centring Lathe  
Chuck

C085  
Clamp Kit Tee Nuts



C0948  
Mini Clamp Kit 10 piece -  
Workshop Series

C0945  
Clamp Kit 58 piece - Workshop  
Series

