

Product Brochure For R0065

# Rotary Table, Dividing Plates & 3 Jaw Chuck Kit - RTK-6

Ø152mm

**On Sale**

<b>Ex GST</b>	<b>Inc GST</b>
<b>\$758.00</b>	<b>\$871.70</b>
<b>\$606.09</b>	<b>\$697.00</b>



ORDER CODE:	R0065
MODEL:	RTK-6
Size (mm):	152
A1 (mm):	78
D (mm):	150
H (mm):	83
H1 (mm):	100
A (mm):	200
B (mm):	160
e (mm):	14
g (mm):	16
Number of T-Slots (No.):	4
T-Slot Size (mm):	12
Taper In Centre (MT):	2MT
Nett Weight (kg):	24



## Description

The Toolmaster Rotary Table is supplied with a 125mm 3 jaw chuck, backing plate & a set of dividing plates. Designed to be used where a precision work positioning device is required. It allows the operator to mill or drill components at exact intervals around a fixed axis.

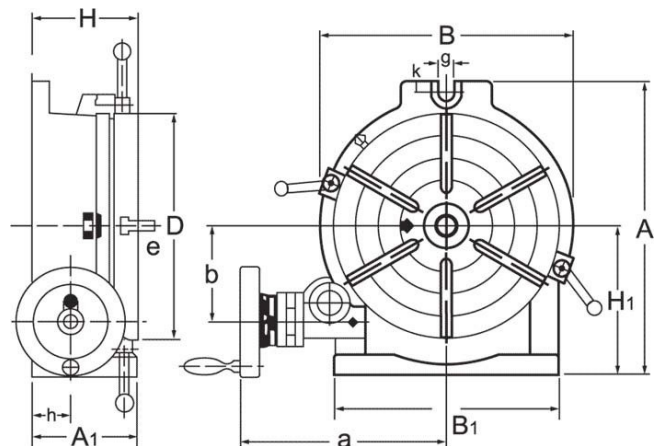
This Toolmaster Rotary Table can be used in both the horizontal or vertical plane.

## Features

- The Toolmaster Rotary Table is manufactured from high-density Meehanite cast iron with ground surface areas on the table and body to ensure smooth rotation
- Critical wear parts are hand finished for ultra precision
- All tables are tested for accuracy using 'Heidenhain' electronic equipment to ensure continuing quality
- Worm is hardened and precision ground, with a ratio of 90:1
- Table is graduated to a full 360° so one turn of the handle moves the table 4°
- The collar on the handle is graduated with a vernier scale, readings down to 10 seconds are possible

## Includes

- 152mm rotary table
- 127mm 3 jaw chuck with reverse jaws
- Adaptor plate to suit chuck
- Dividing plate set
- Chuck key



Product Brochure For R0065

**Specific Features**



3 Jaw Chuck Fitted in Vertical Position

3 Jaw Chuck Fitted in Horizontal Position

Dial Graduations

Side View

**Recommended Accessories**

R013  
Vertex Tailstock

C280  
3 Jaw Self Centring Lathe  
Chuck

C085A  
Clamp Kit Tee Nuts

C0955  
Clamp Kit 58 piece - Workshop  
Series

